

법선 벡터와 이면각(두 평면이 이루는 각)  
(Normal vector and Dihedral Angle (the Angle formed by two  
Planes))

# Normal vector and Dihedral Angle (the Angle formed by two Planes)

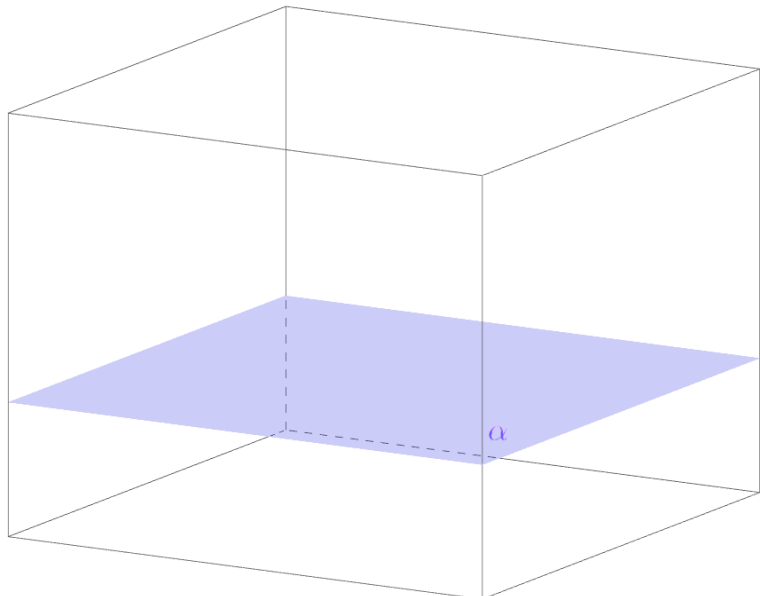
▶ Start

▶ End

## Normal vector and Dihedral Angle (the Angle formed by two Planes)

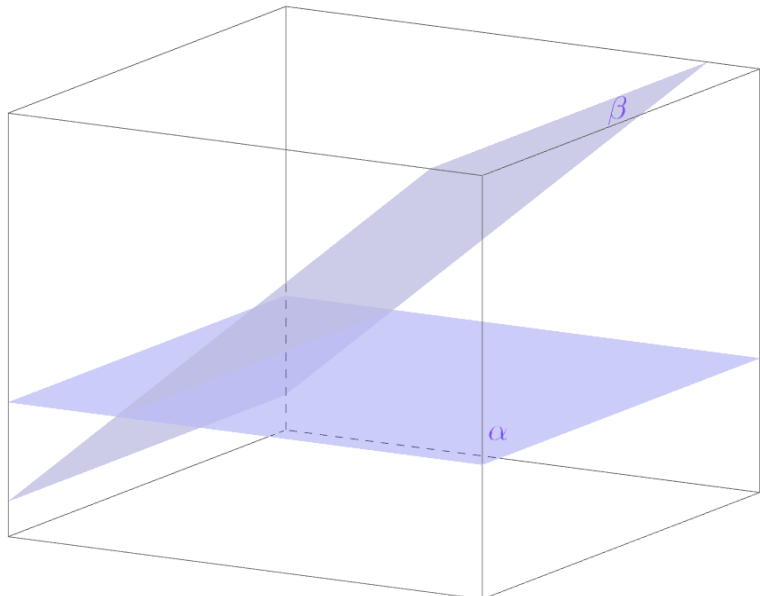
▶ Start

▶ End



## Normal vector and Dihedral Angle (the Angle formed by two Planes)

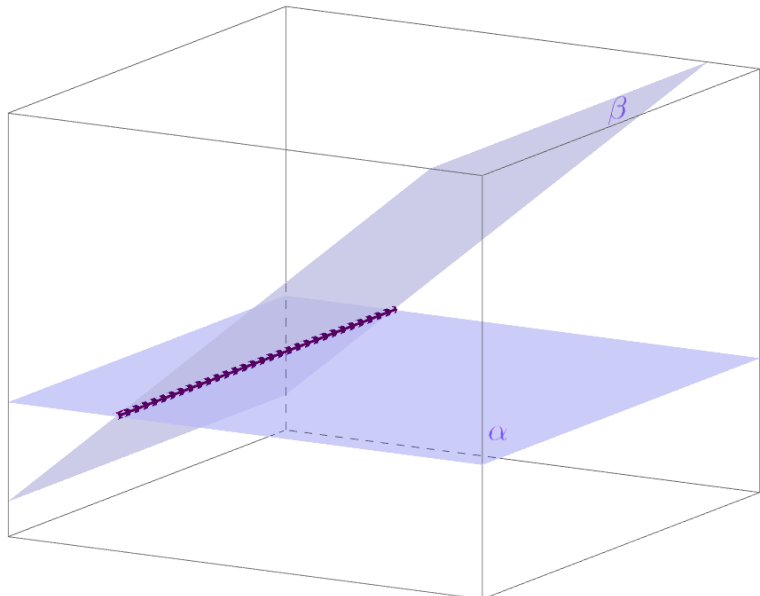
▶ Start ▶ End



# Normal vector and Dihedral Angle (the Angle formed by two Planes)

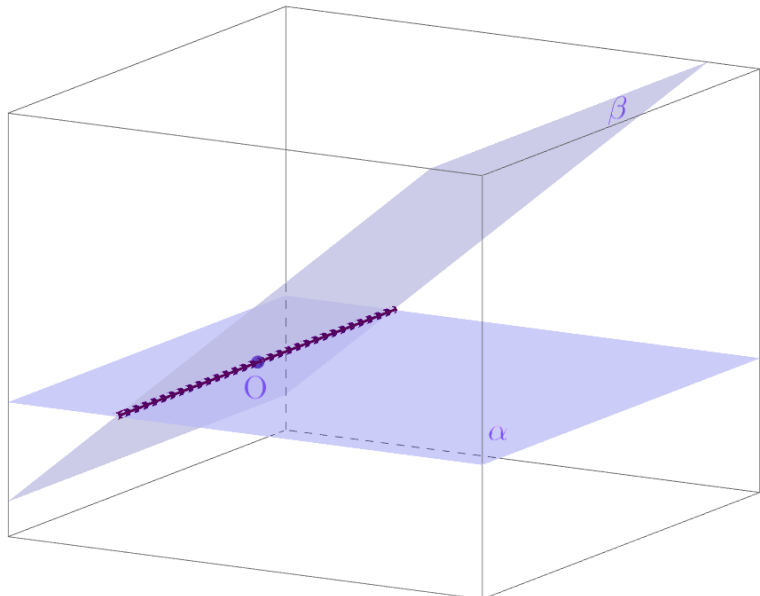
▶ Start

▶ End



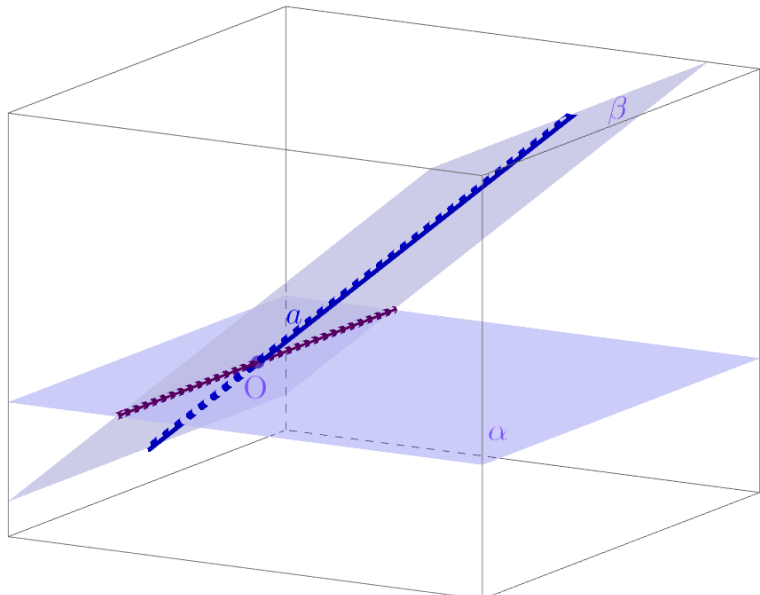
# Normal vector and Dihedral Angle (the Angle formed by two Planes)

▶ Start ▶ End



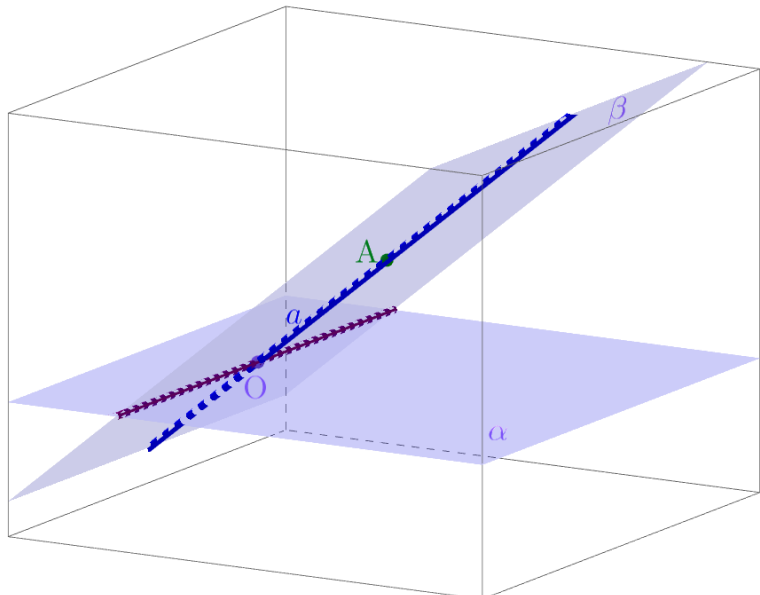
# Normal vector and Dihedral Angle (the Angle formed by two Planes)

▶ Start ▶ End



# Normal vector and Dihedral Angle (the Angle formed by two Planes)

▶ Start ▶ End

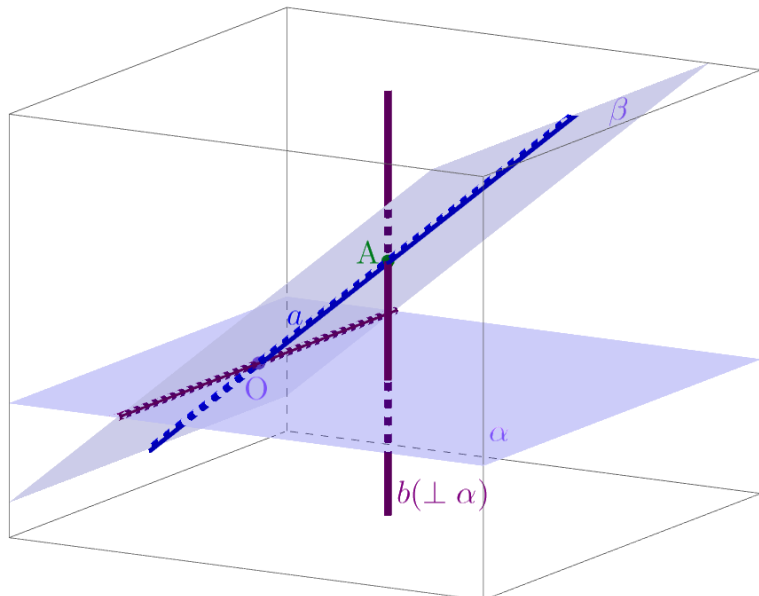




# Normal vector and Dihedral Angle (the Angle formed by two Planes)

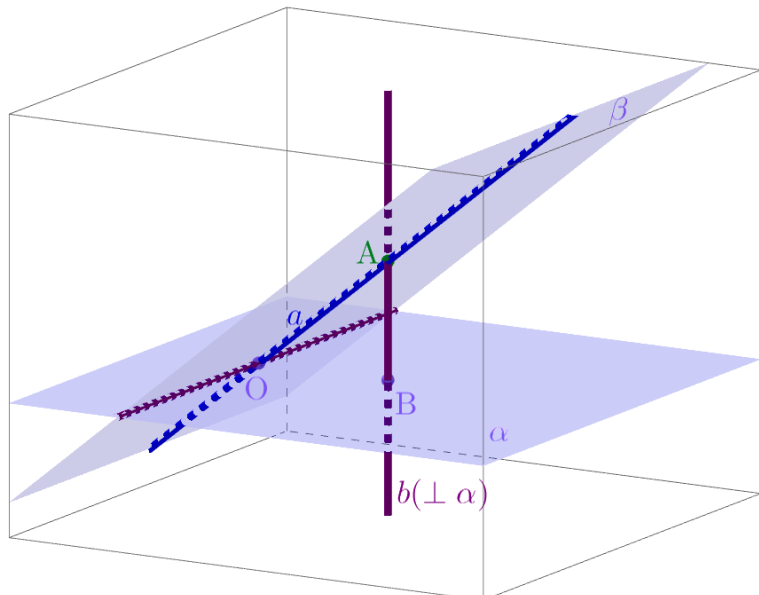
▶ Start

▶ End



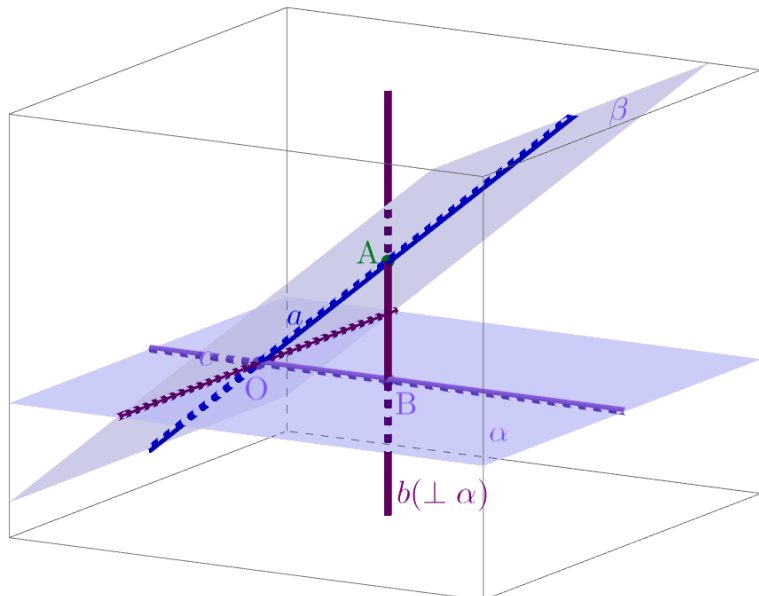
# Normal vector and Dihedral Angle (the Angle formed by two Planes)

▶ Start ▶ End



# Normal vector and Dihedral Angle (the Angle formed by two Planes)

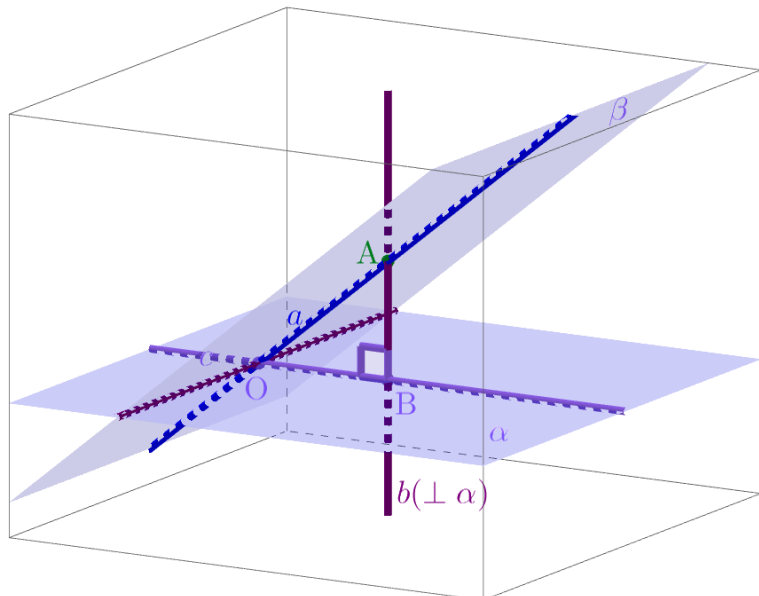
▶ Start ▶ End



# Normal vector and Dihedral Angle (the Angle formed by two Planes)

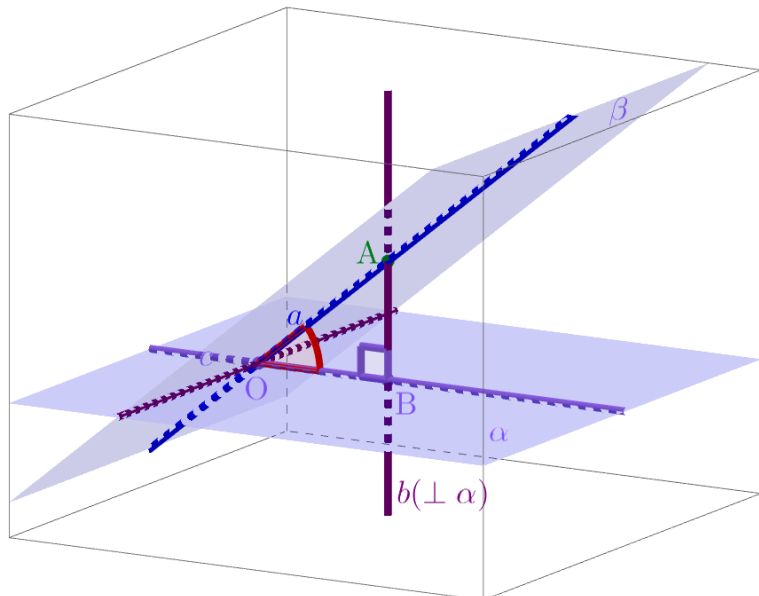
▶ Start

▶ End



# Normal vector and Dihedral Angle (the Angle formed by two Planes)

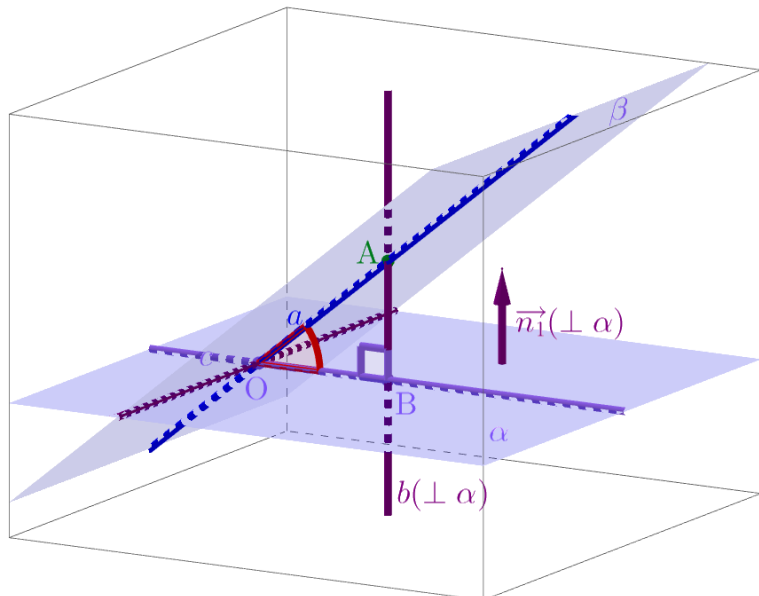
▶ Start ▶ End



# Normal vector and Dihedral Angle (the Angle formed by two Planes)

▶ Start

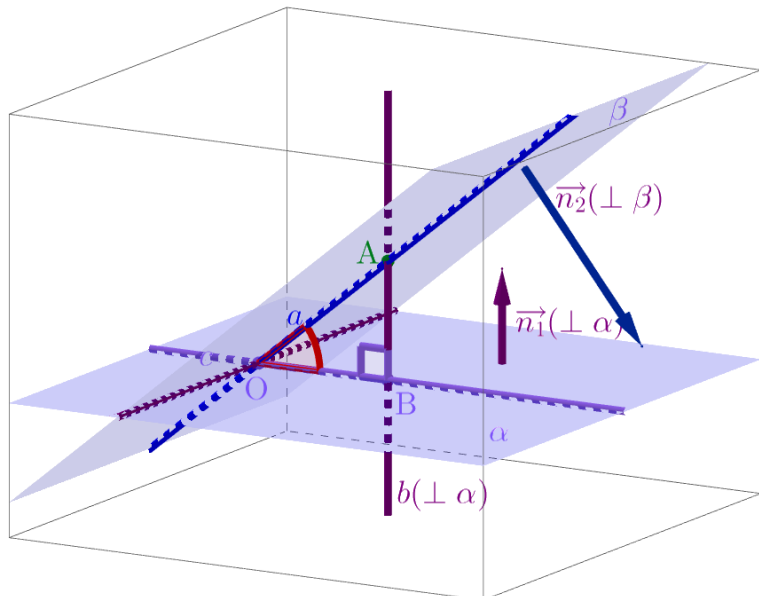
▶ End



# Normal vector and Dihedral Angle (the Angle formed by two Planes)

▶ Start

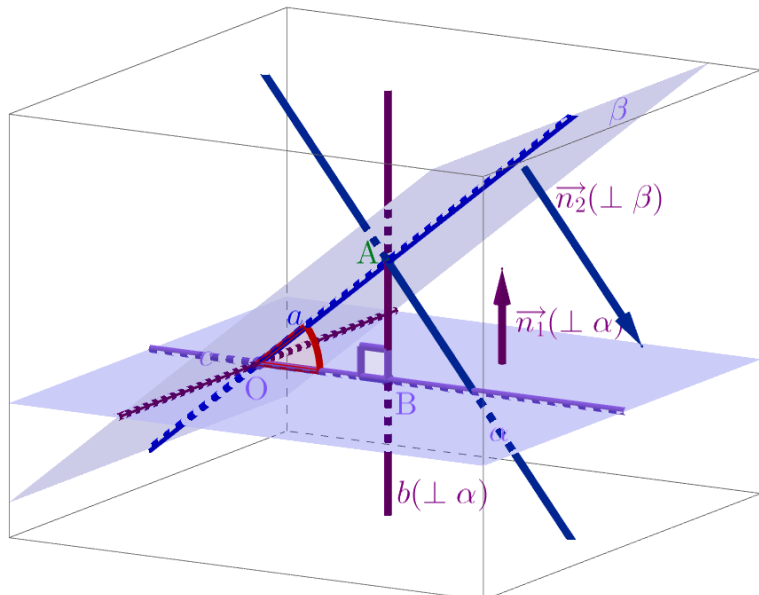
▶ End



# Normal vector and Dihedral Angle (the Angle formed by two Planes)

▶ Start

▶ End

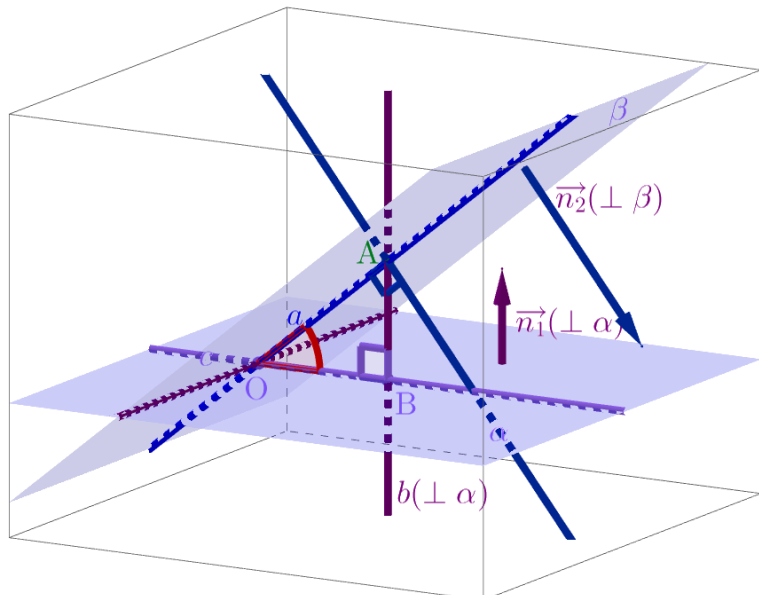




# Normal vector and Dihedral Angle (the Angle formed by two Planes)

▶ Start

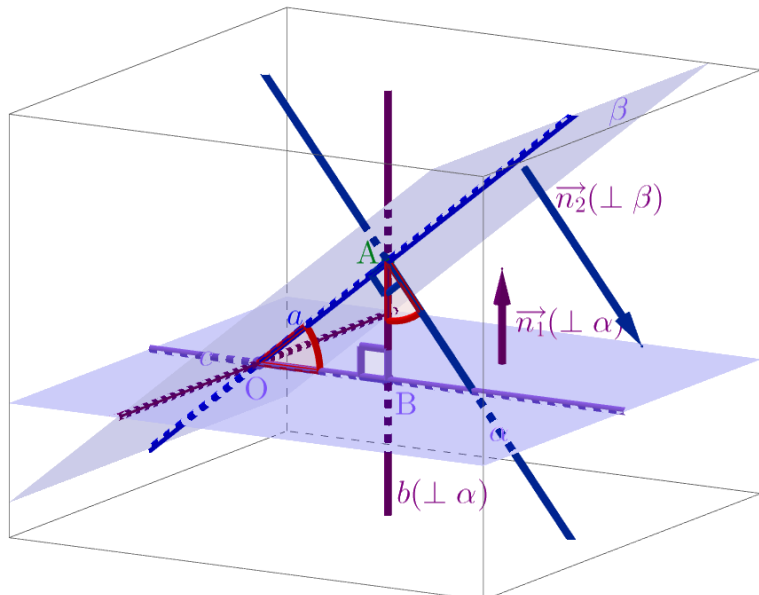
▶ End



# Normal vector and Dihedral Angle (the Angle formed by two Planes)

▶ Start

▶ End



Github:

<https://min7014.github.io/math20230331001.html>

Click or paste URL into the URL search bar,  
and you can see a picture moving.