

정사각형의 정사영의 넓이
(Area of the projection of a square)

Area of the projection of a square

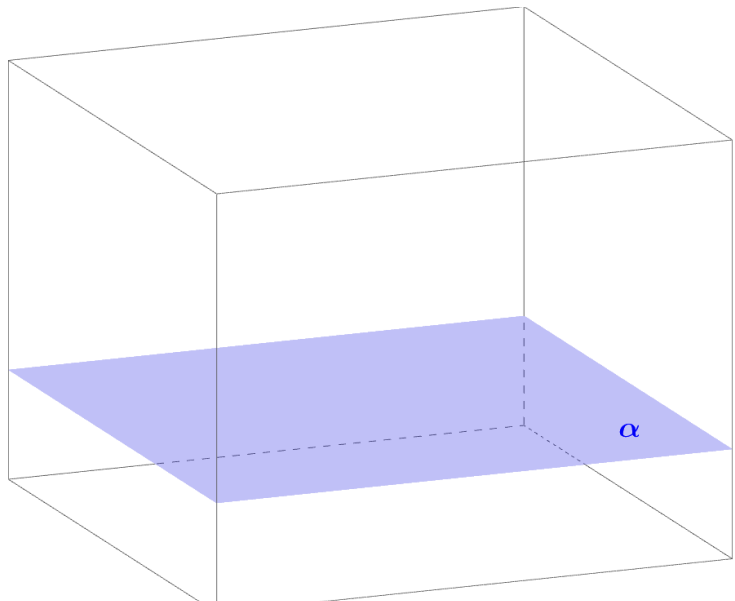
▶ Start

▶ End

Area of the projection of a square

▶ Start

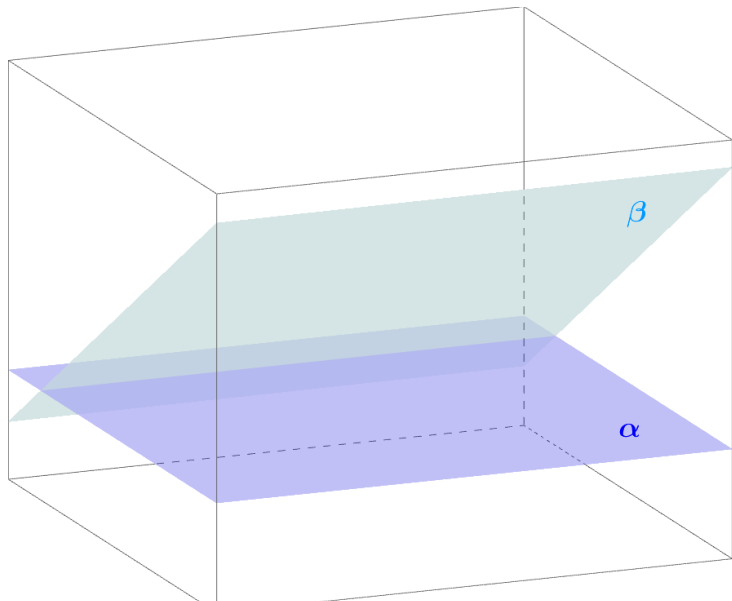
▶ End



Area of the projection of a square

▶ Start

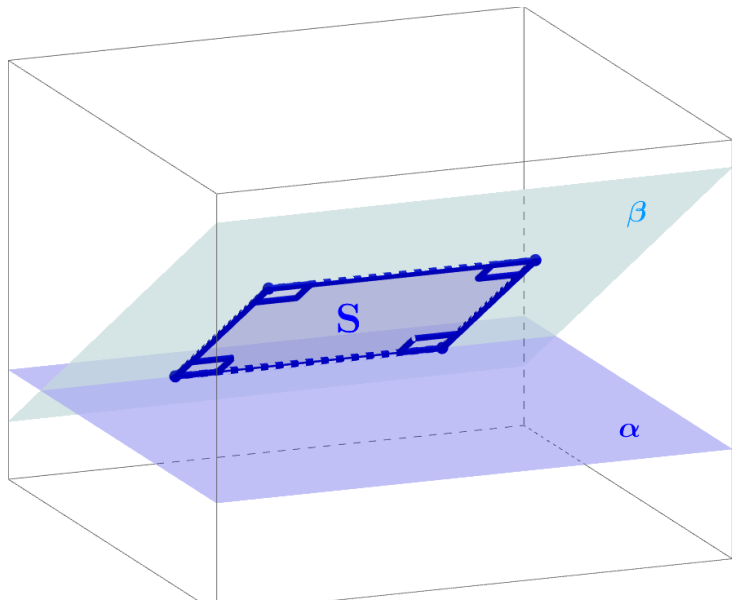
▶ End



Area of the projection of a square

▶ Start

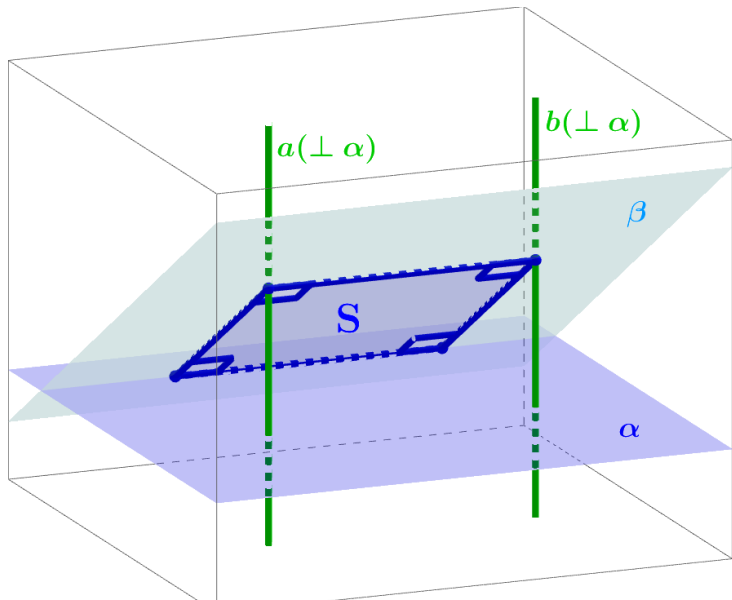
▶ End



Area of the projection of a square

▶ Start

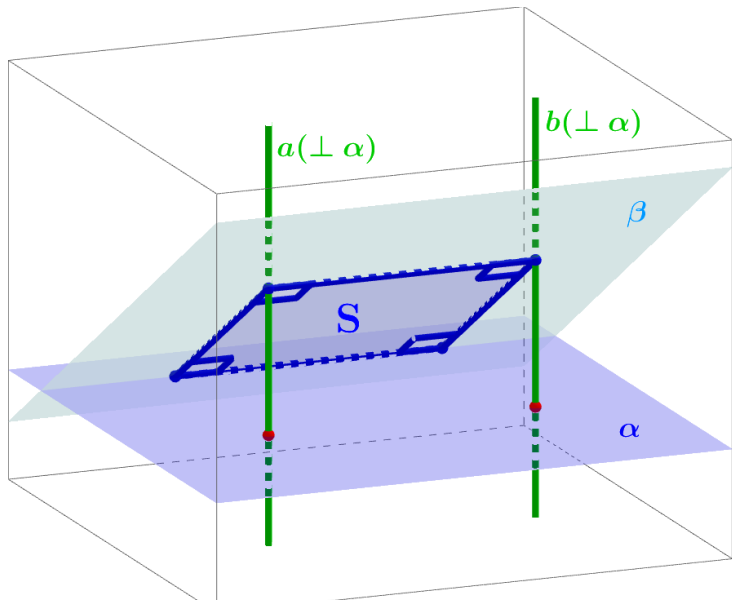
▶ End



Area of the projection of a square

▶ Start

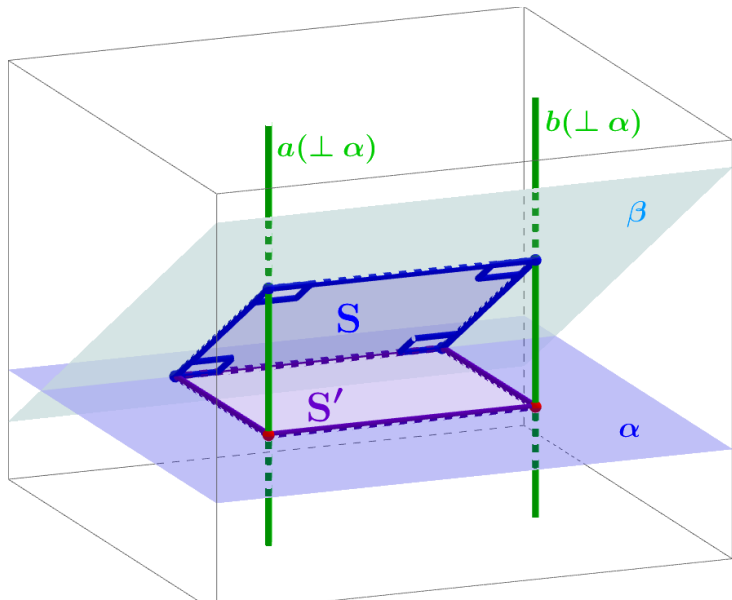
▶ End



Area of the projection of a square

▶ Start

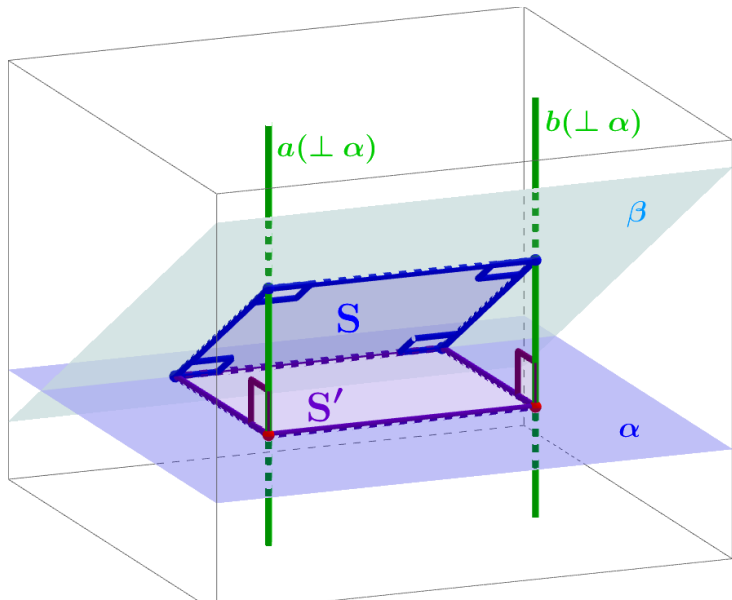
▶ End



Area of the projection of a square

▶ Start

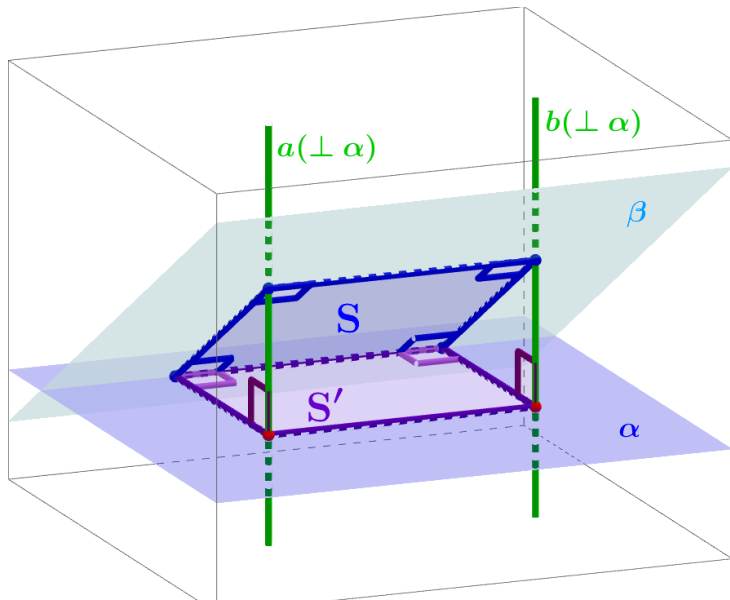
▶ End



Area of the projection of a square

▶ Start

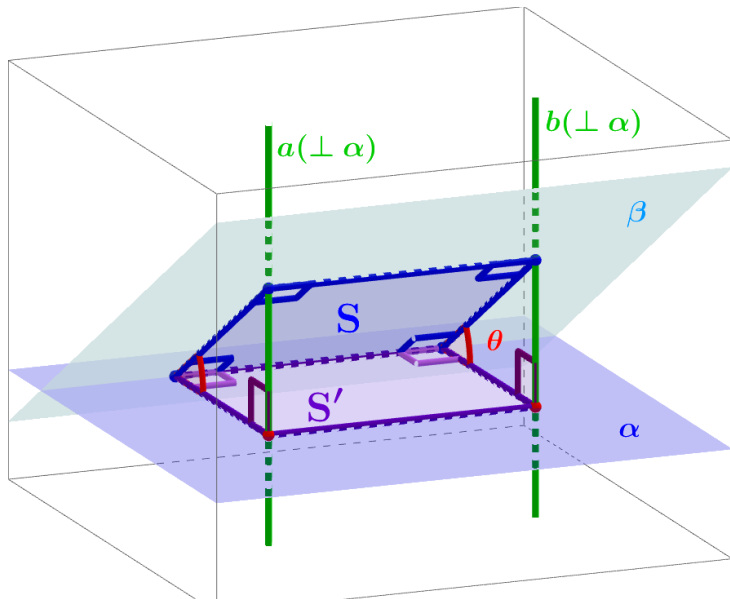
▶ End



Area of the projection of a square

▶ Start

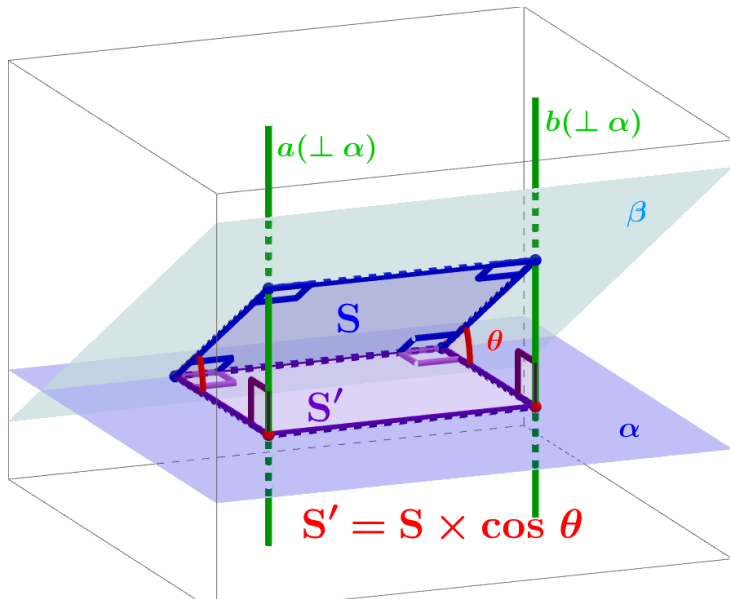
▶ End



Area of the projection of a square

▶ Start

▶ End



Github:

<https://min7014.github.io/math20230328001.html>

Click or paste URL into the URL search bar,
and you can see a picture moving.