

## 직선과 평면의 수직 (Perpendicularity of a straight line and a plane)

# Perpendicularity of a straight line and a plane

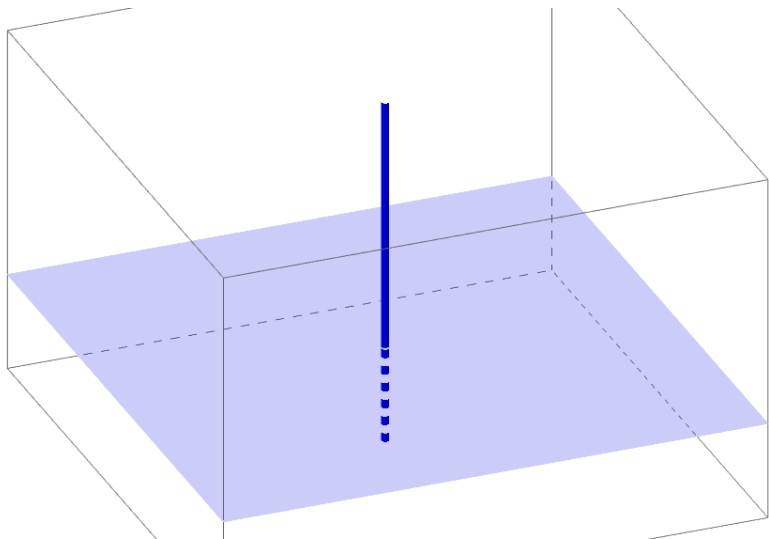
▶ Start

▶ End



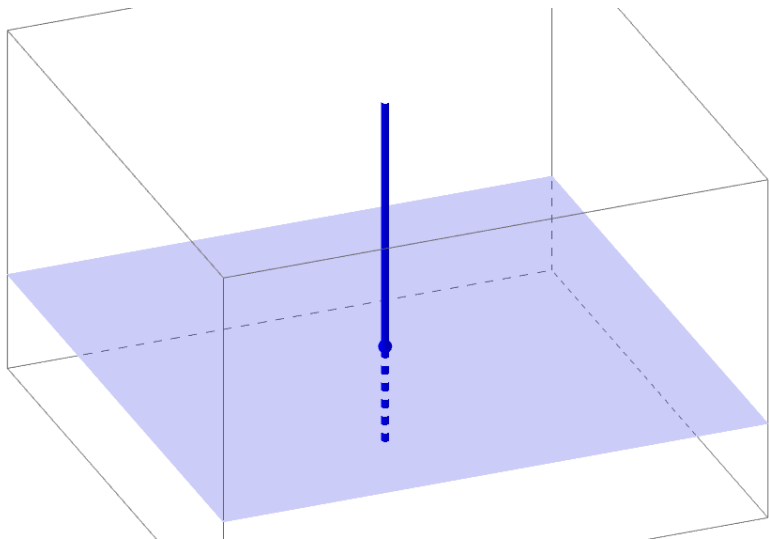
# Perpendicularity of a straight line and a plane

▶ Start ▶ End



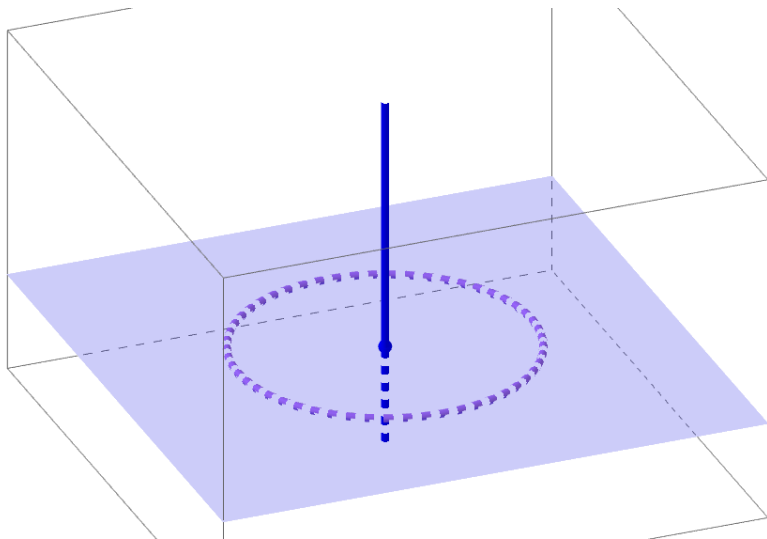
# Perpendicularity of a straight line and a plane

▶ Start ▶ End



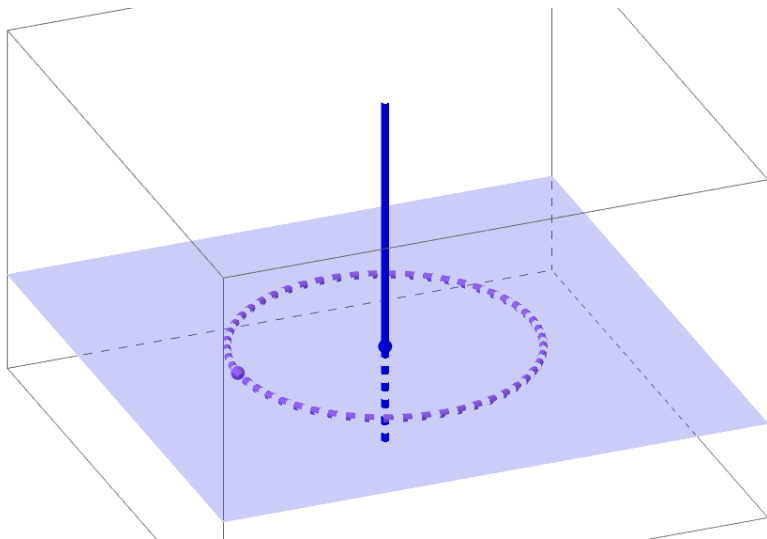
# Perpendicularity of a straight line and a plane

▶ Start ▶ End



# Perpendicularity of a straight line and a plane

▶ Start ▶ End

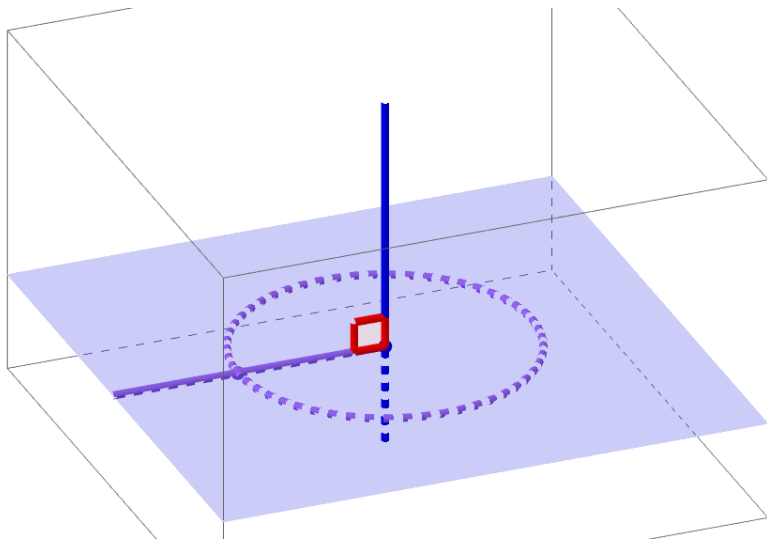






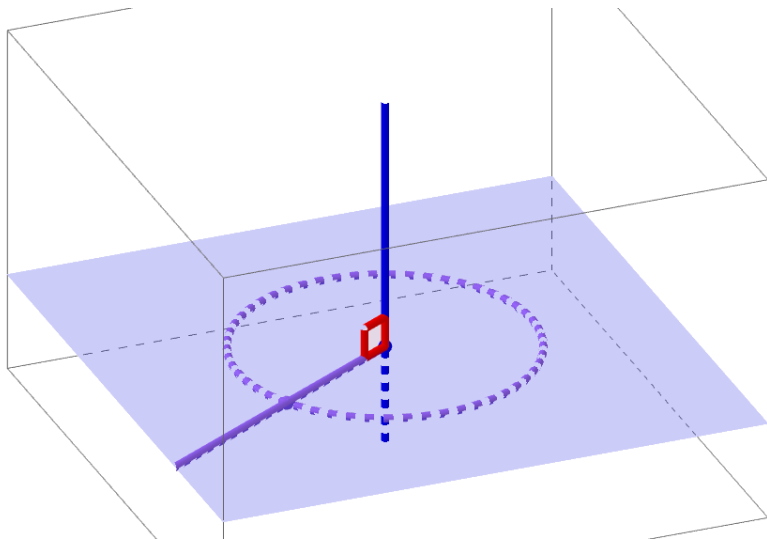
# Perpendicularity of a straight line and a plane

▶ Start ▶ End



# Perpendicularity of a straight line and a plane

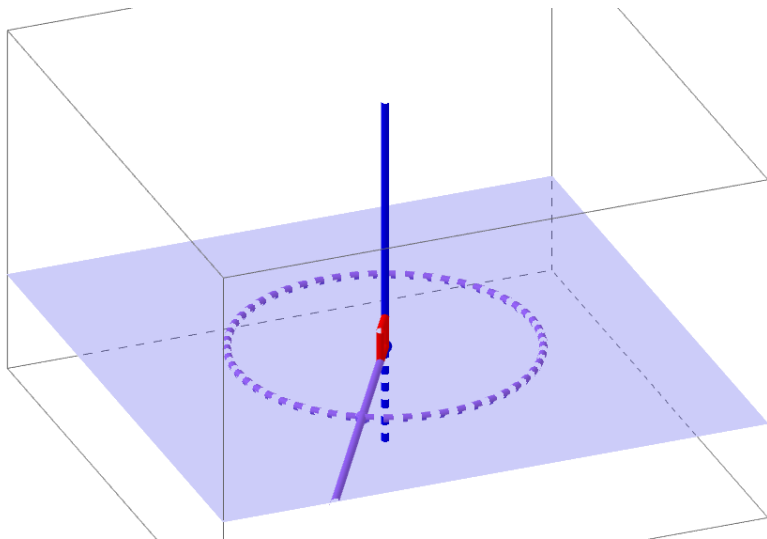
▶ Start ▶ End



# Perpendicularity of a straight line and a plane

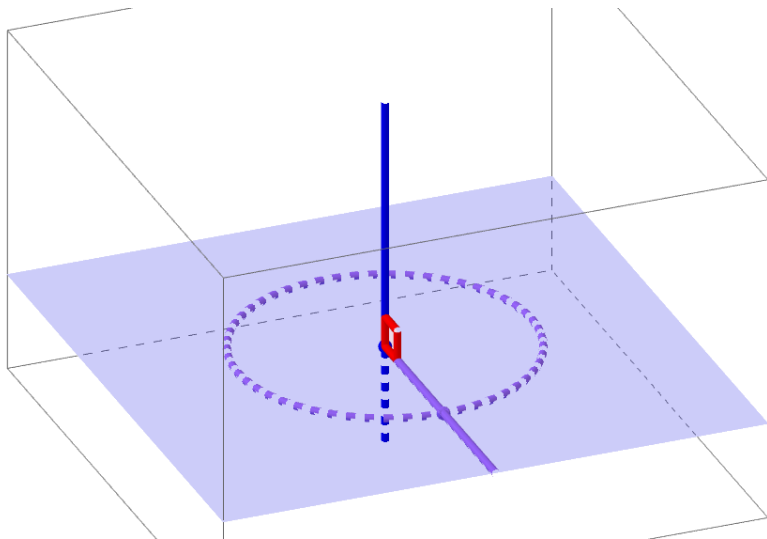
▶ Start

▶ End



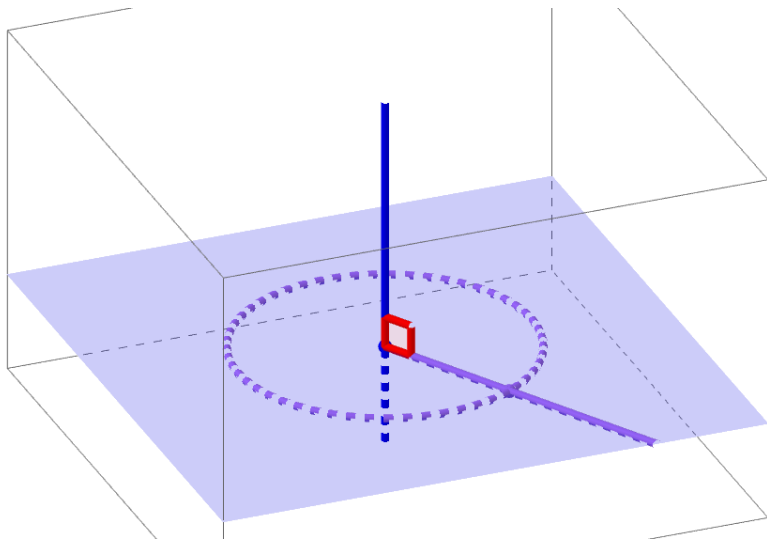
# Perpendicularity of a straight line and a plane

▶ Start ▶ End



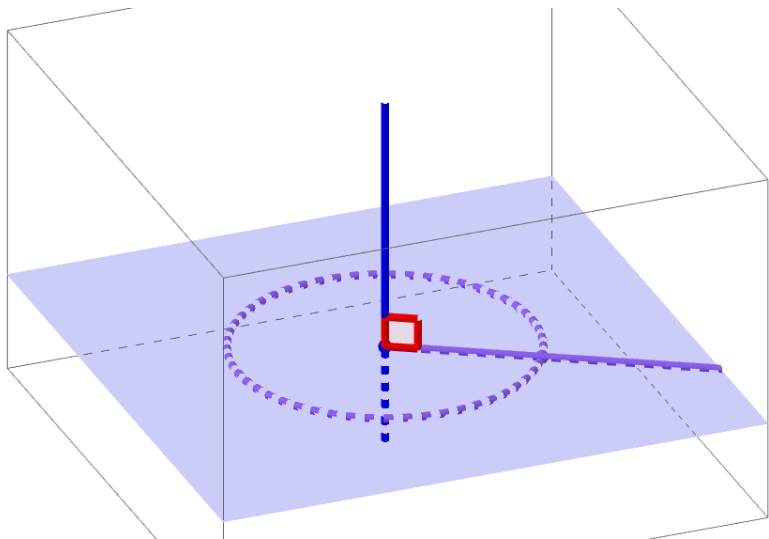
# Perpendicularity of a straight line and a plane

▶ Start ▶ End



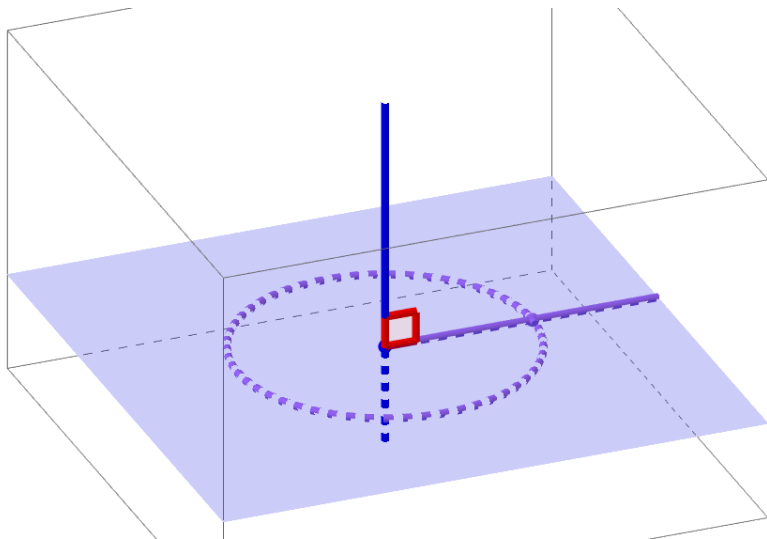
# Perpendicularity of a straight line and a plane

▶ Start ▶ End



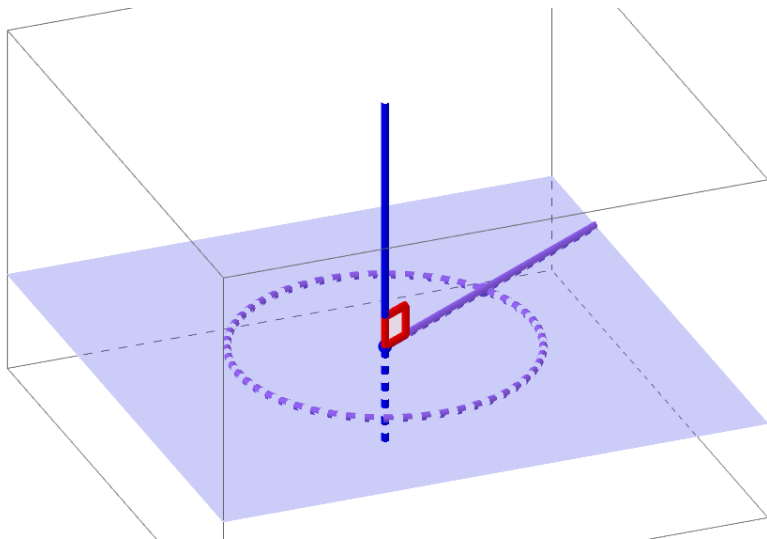
# Perpendicularity of a straight line and a plane

▶ Start ▶ End



# Perpendicularity of a straight line and a plane

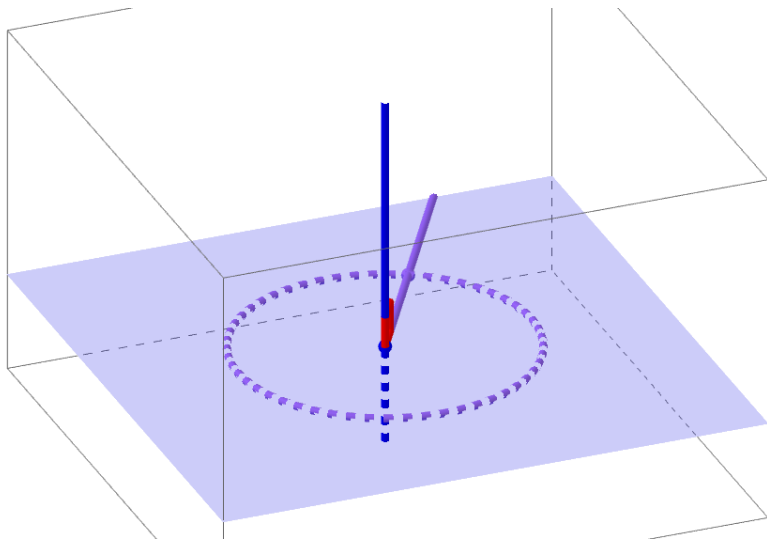
▶ Start ▶ End





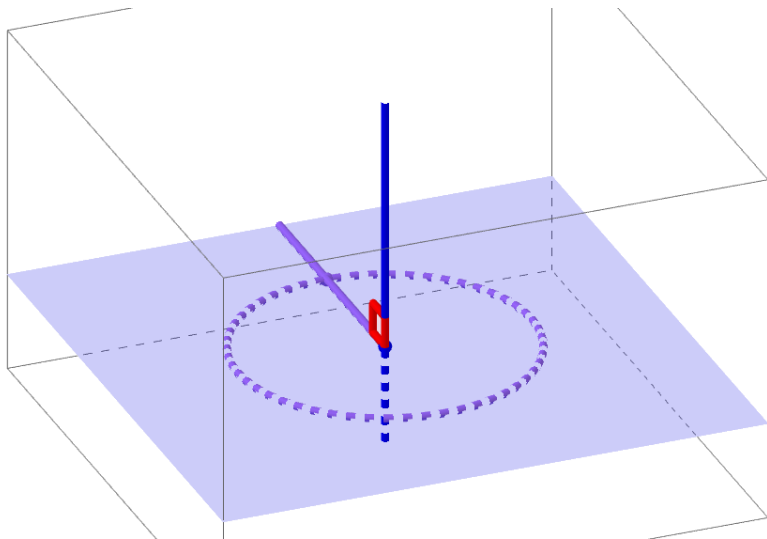
# Perpendicularity of a straight line and a plane

▶ Start ▶ End



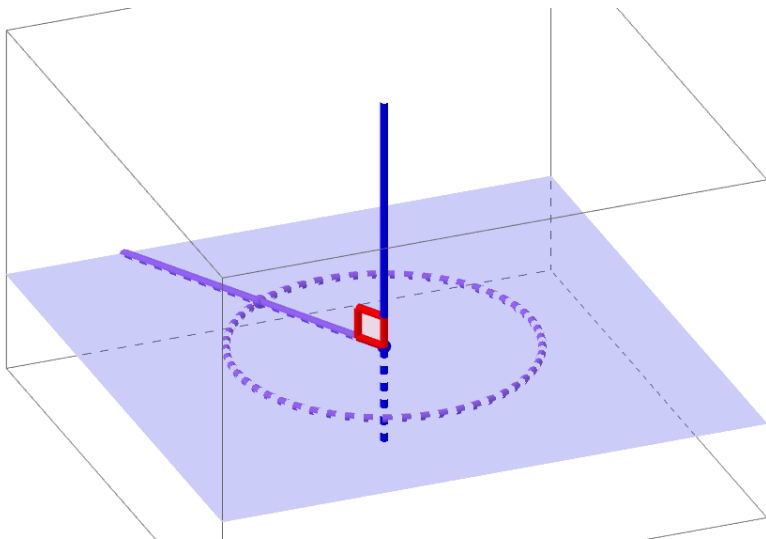
# Perpendicularity of a straight line and a plane

▶ Start ▶ End



# Perpendicularity of a straight line and a plane

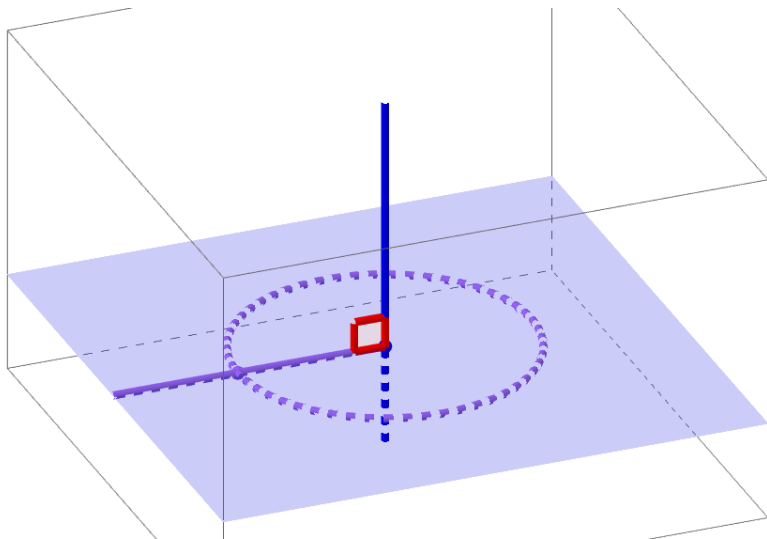
▶ Start ▶ End





# Perpendicularity of a straight line and a plane

▶ Start ▶ End



Github:

<https://min7014.github.io/math20221231001.html>

Click or paste URL into the URL search bar,  
and you can see a picture moving.