

When two straight lines intersecting at one point and two straight lines parallel to the two lines are drawn from the other point, the angles formed by the two pairs of straight lines are equal.

한 점에서 만나는 두 직선과 다른 한 점에서 두 직선과 각각 평행한 또 다른 두 직선을 그었을 때 두 쌍의 직선이 이루는 각의 크기는 같다.

(When two straight lines intersecting at one point and two straight lines parallel to the two lines are drawn from the other point, the angles formed by the two pairs of straight lines are equal.)

When two straight lines intersecting at one point and two straight lines parallel to the two lines are drawn from the other point, the angles formed by the two pairs of straight lines are equal.

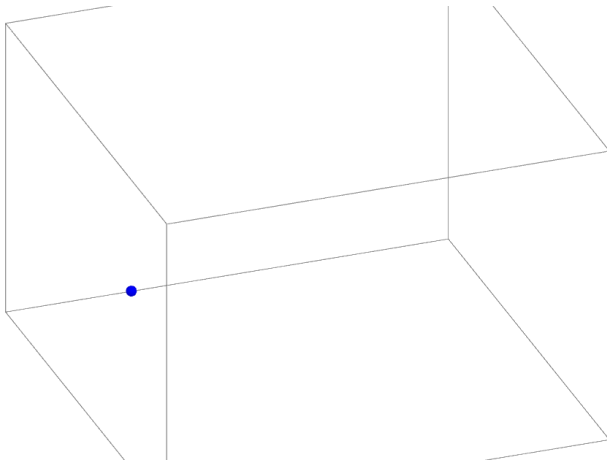
▶ Start

▶ End

When two straight lines intersecting at one point and two straight lines parallel to the two lines are drawn from the other point, the angles formed by the two pairs of straight lines are equal.

▶ Start

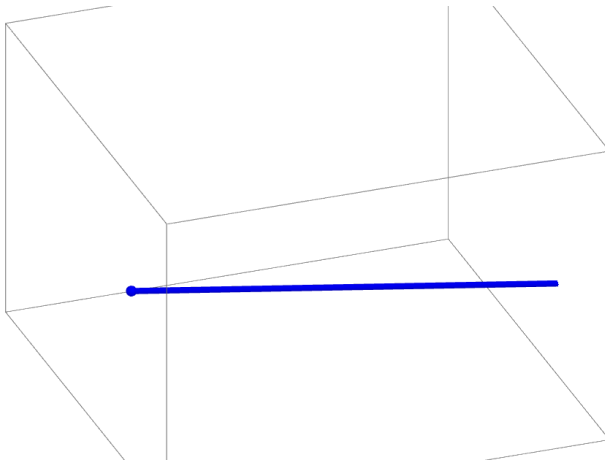
▶ End



When two straight lines intersecting at one point and two straight lines parallel to the two lines are drawn from the other point, the angles formed by the two pairs of straight lines are equal.

▶ Start

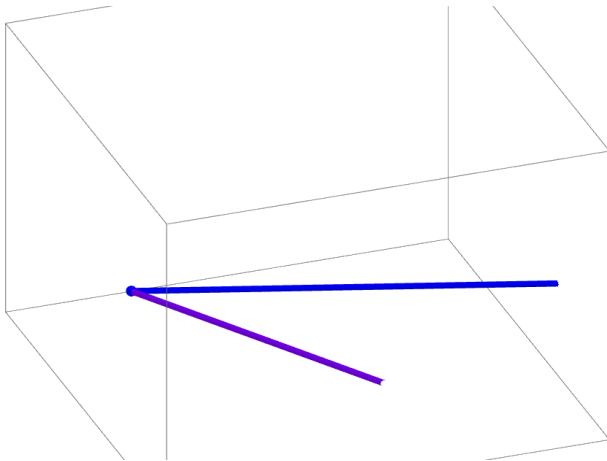
▶ End



When two straight lines intersecting at one point and two straight lines parallel to the two lines are drawn from the other point, the angles formed by the two pairs of straight lines are equal.

▶ Start

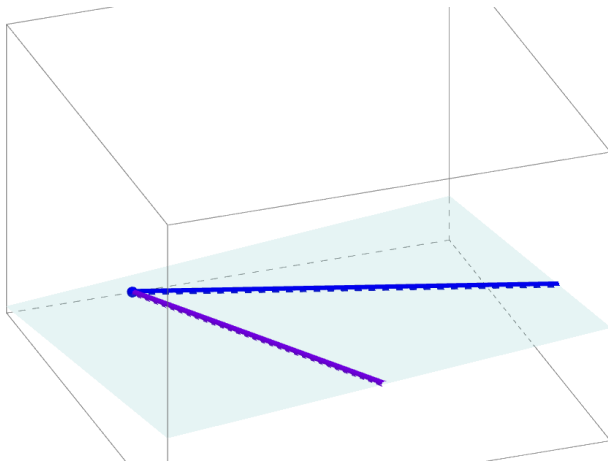
▶ End



When two straight lines intersecting at one point and two straight lines parallel to the two lines are drawn from the other point, the angles formed by the two pairs of straight lines are equal.

▶ Start

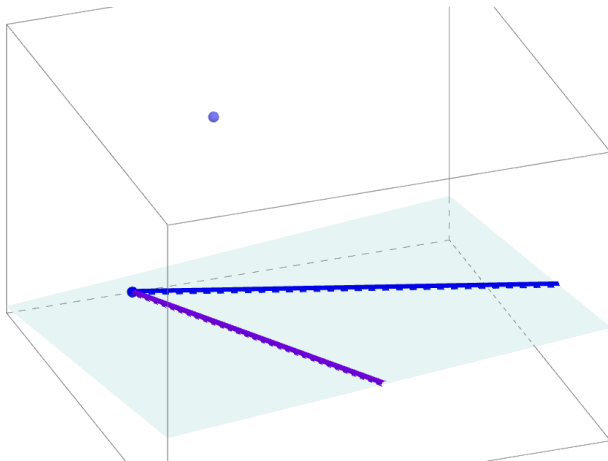
▶ End



When two straight lines intersecting at one point and two straight lines parallel to the two lines are drawn from the other point, the angles formed by the two pairs of straight lines are equal.

▶ Start

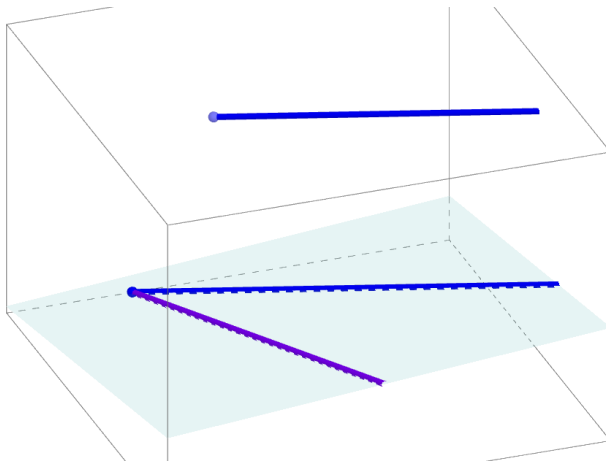
▶ End



When two straight lines intersecting at one point and two straight lines parallel to the two lines are drawn from the other point, the angles formed by the two pairs of straight lines are equal.

▶ Start

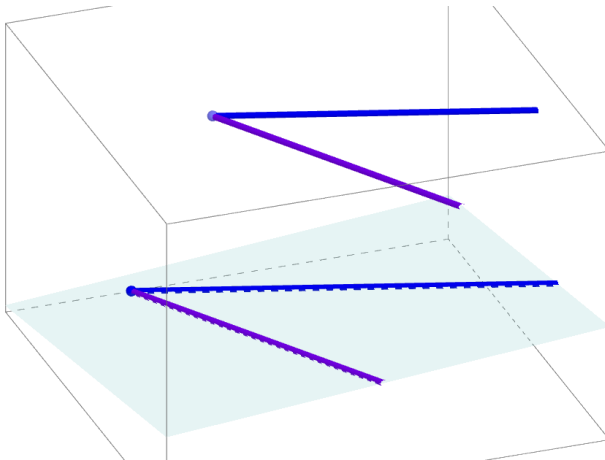
▶ End



When two straight lines intersecting at one point and two straight lines parallel to the two lines are drawn from the other point, the angles formed by the two pairs of straight lines are equal.

▶ Start

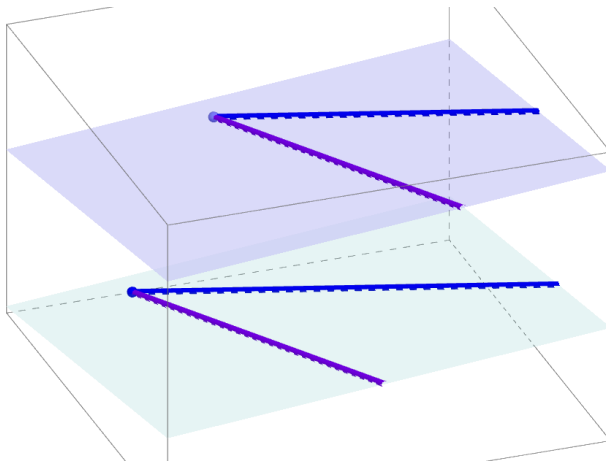
▶ End



When two straight lines intersecting at one point and two straight lines parallel to the two lines are drawn from the other point, the angles formed by the two pairs of straight lines are equal.

▶ Start

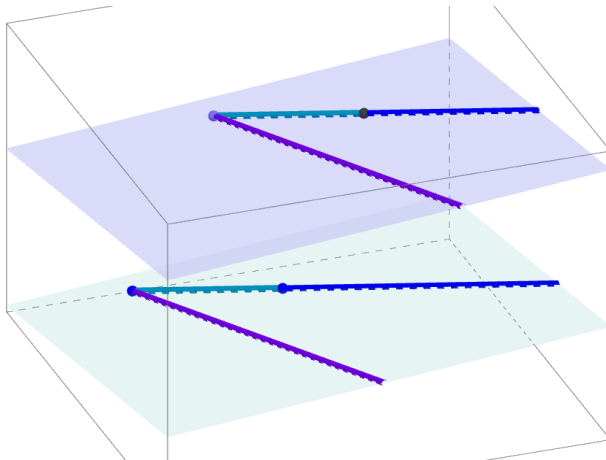
▶ End



When two straight lines intersecting at one point and two straight lines parallel to the two lines are drawn from the other point, the angles formed by the two pairs of straight lines are equal.

▶ Start

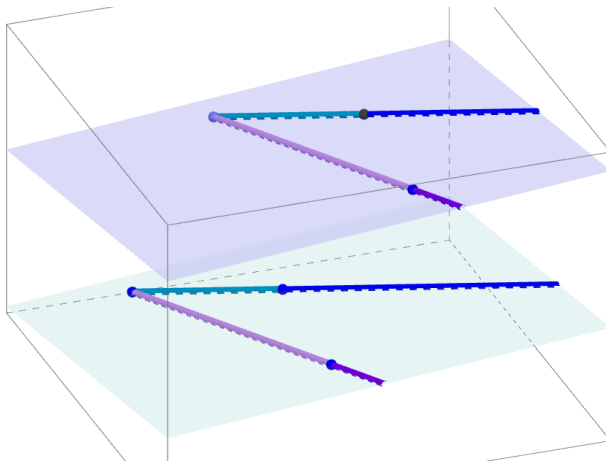
▶ End



When two straight lines intersecting at one point and two straight lines parallel to the two lines are drawn from the other point, the angles formed by the two pairs of straight lines are equal.

▶ Start

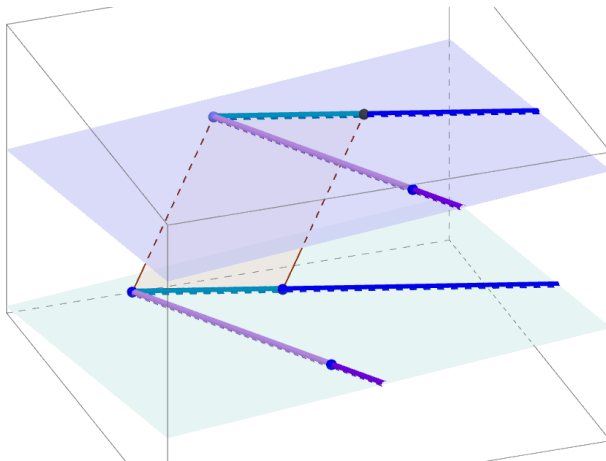
▶ End



When two straight lines intersecting at one point and two straight lines parallel to the two lines are drawn from the other point, the angles formed by the two pairs of straight lines are equal.

▶ Start

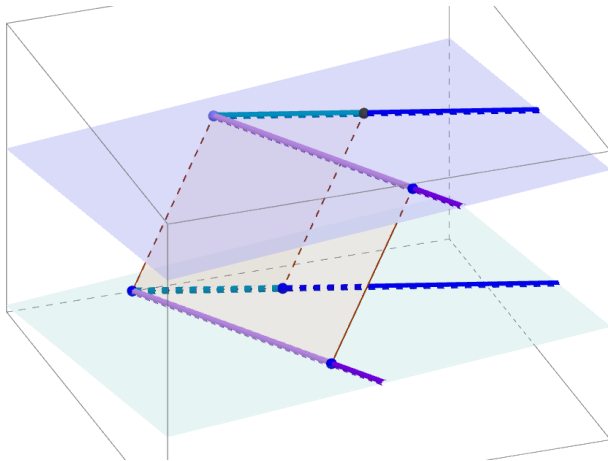
▶ End



When two straight lines intersecting at one point and two straight lines parallel to the two lines are drawn from the other point, the angles formed by the two pairs of straight lines are equal.

▶ Start

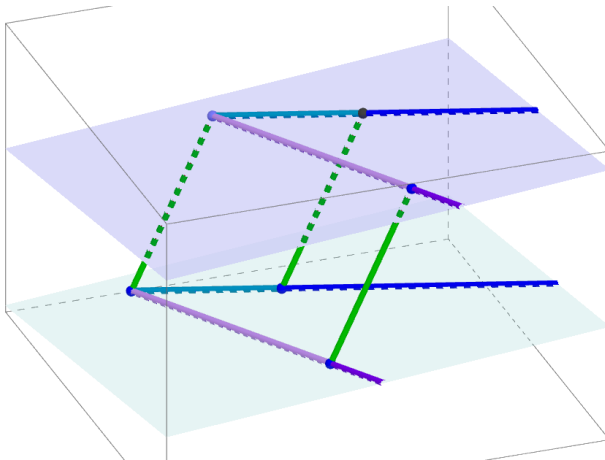
▶ End



When two straight lines intersecting at one point and two straight lines parallel to the two lines are drawn from the other point, the angles formed by the two pairs of straight lines are equal.

▶ Start

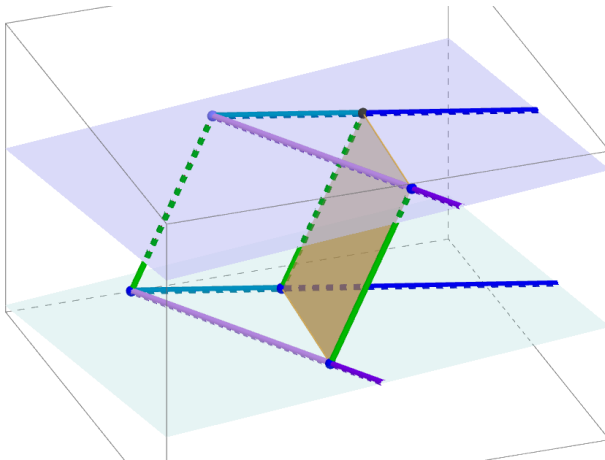
▶ End



When two straight lines intersecting at one point and two straight lines parallel to the two lines are drawn from the other point, the angles formed by the two pairs of straight lines are equal.

▶ Start

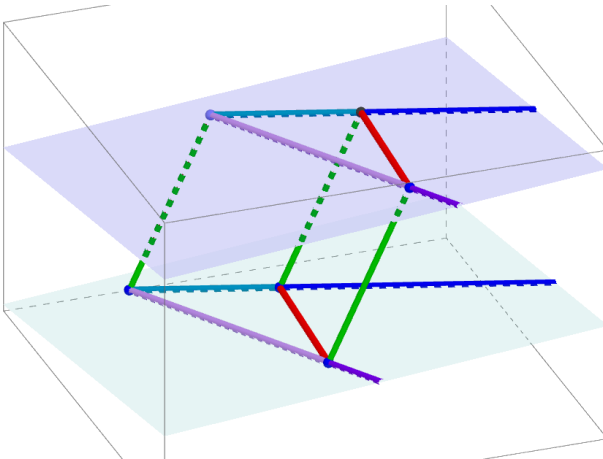
▶ End



When two straight lines intersecting at one point and two straight lines parallel to the two lines are drawn from the other point, the angles formed by the two pairs of straight lines are equal.

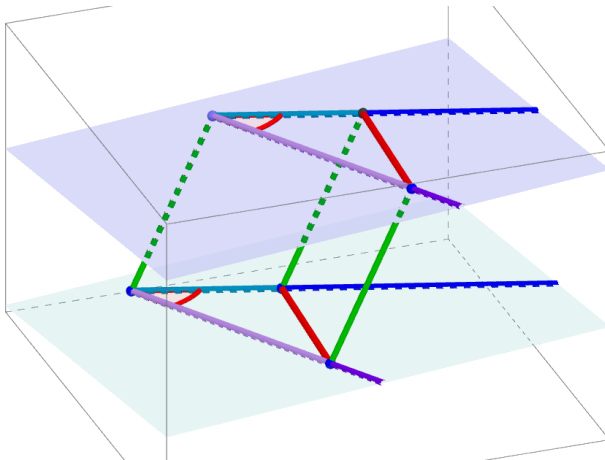
▶ Start

▶ End



When two straight lines intersecting at one point and two straight lines parallel to the two lines are drawn from the other point, the angles formed by the two pairs of straight lines are equal.

▶ Start ▶ End



When two straight lines intersecting at one point and two straight lines parallel to the two lines are drawn from the other point, the angles formed by the two pairs of straight lines are equal.

Github:

<https://min7014.github.io/math20221225001.html>

Click or paste URL into the URL search bar,
and you can see a picture moving.