

A plane parallel to a given plane exists through a point that is not on the given plane.

주어진 평면 위에 있지 않은 점을 지나 주어진
평면에 평행한 평면은 존재한다.

(A plane parallel to a given plane exists through a point that is not
on the given plane.)

A plane parallel to a given plane exists through a point that is not on the given plane.

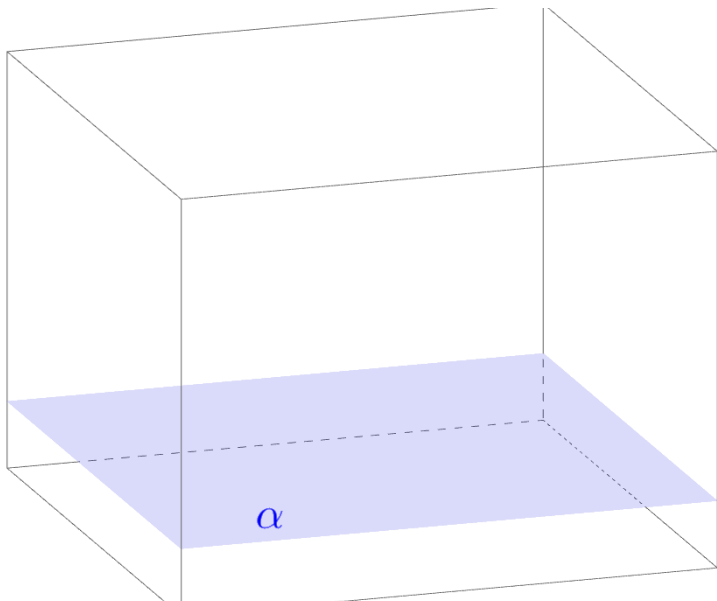
▶ Start

▶ End

A plane parallel to a given plane exists through a point that is not on the given plane.

▶ Start

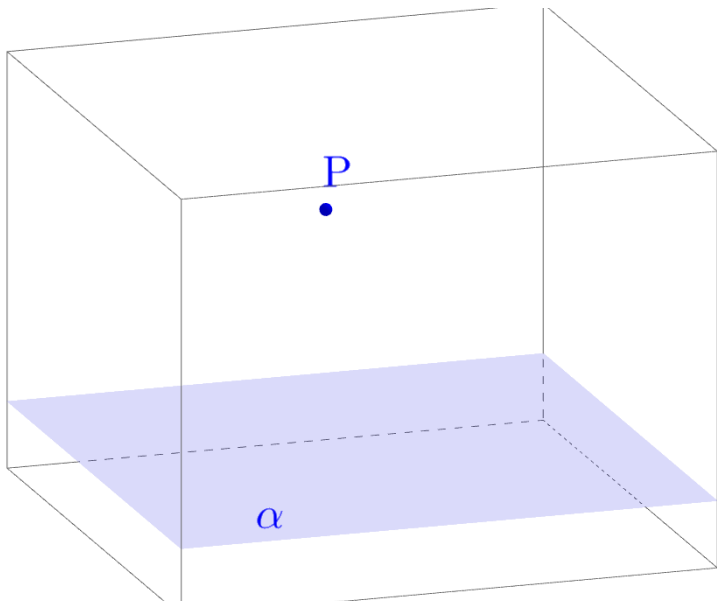
▶ End



A plane parallel to a given plane exists through a point that is not on the given plane.

▶ Start

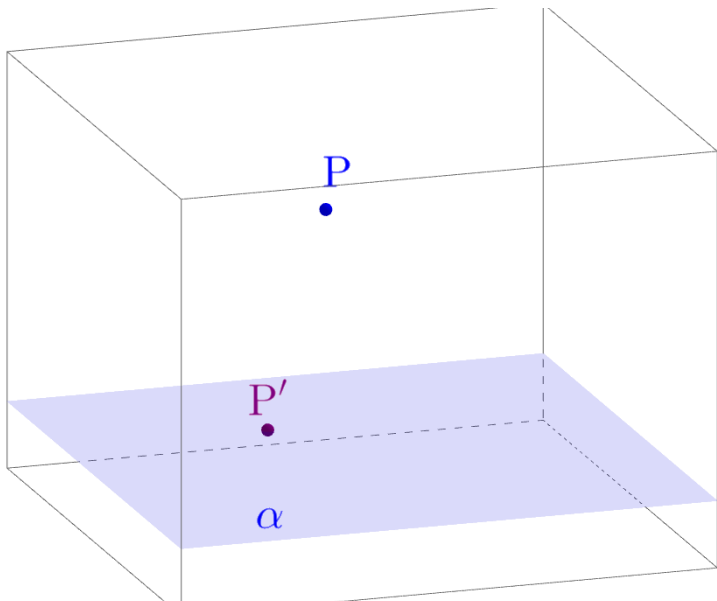
▶ End



A plane parallel to a given plane exists through a point that is not on the given plane.

▶ Start

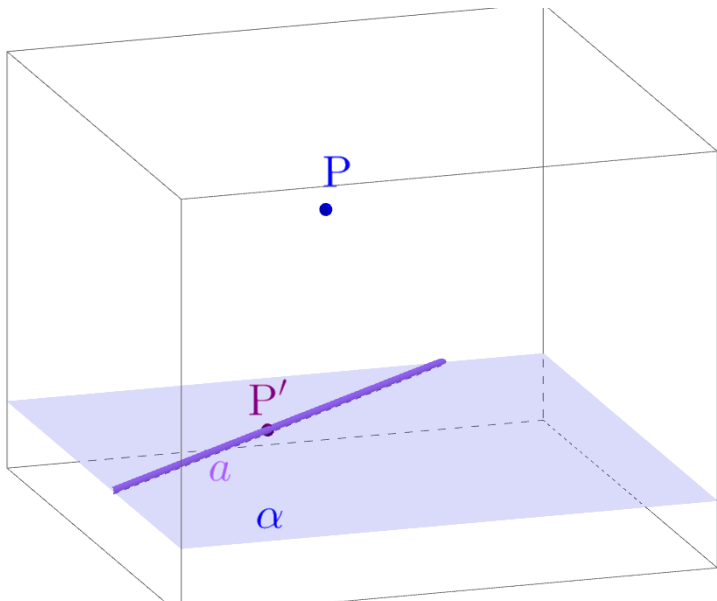
▶ End



A plane parallel to a given plane exists through a point that is not on the given plane.

▶ Start

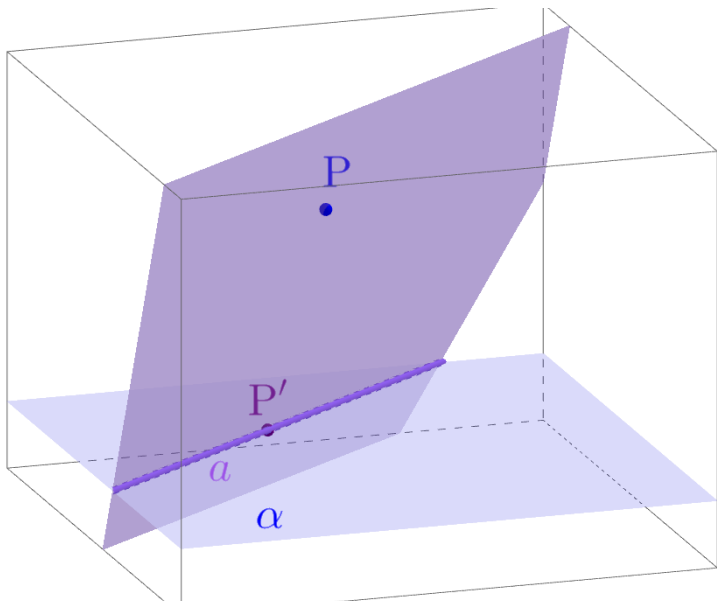
▶ End



A plane parallel to a given plane exists through a point that is not on the given plane.

▶ Start

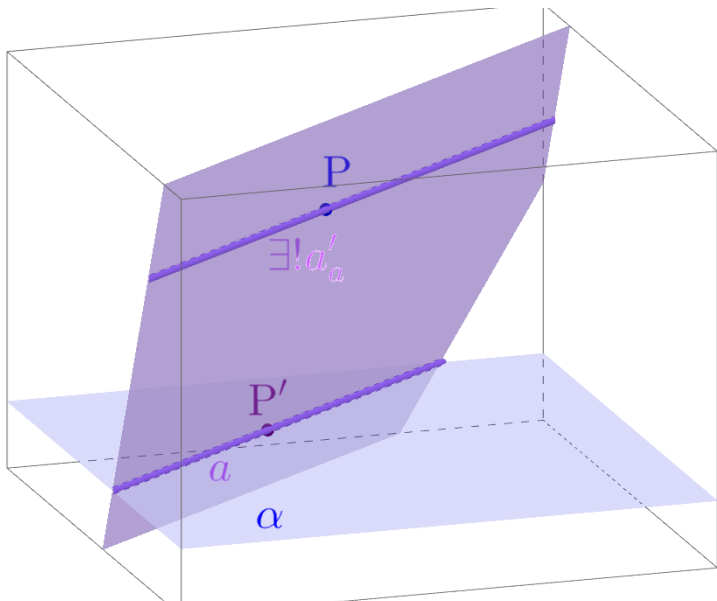
▶ End



A plane parallel to a given plane exists through a point that is not on the given plane.

▶ Start

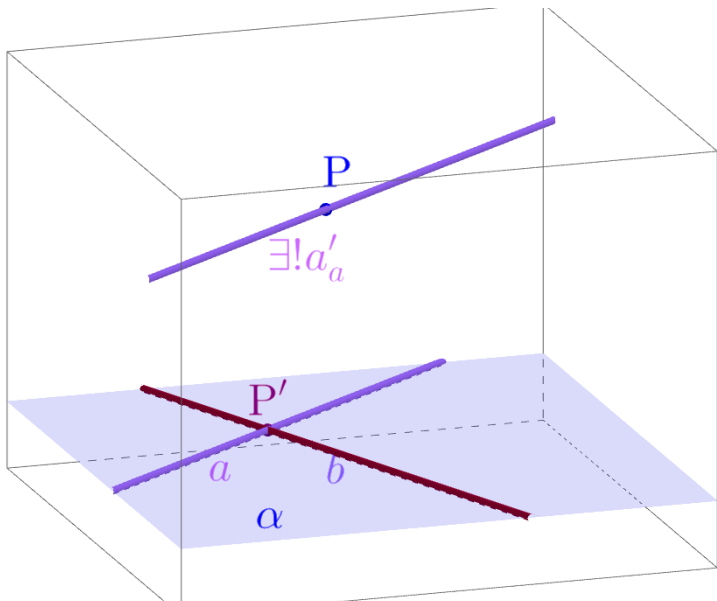
▶ End



A plane parallel to a given plane exists through a point that is not on the given plane.

▶ Start

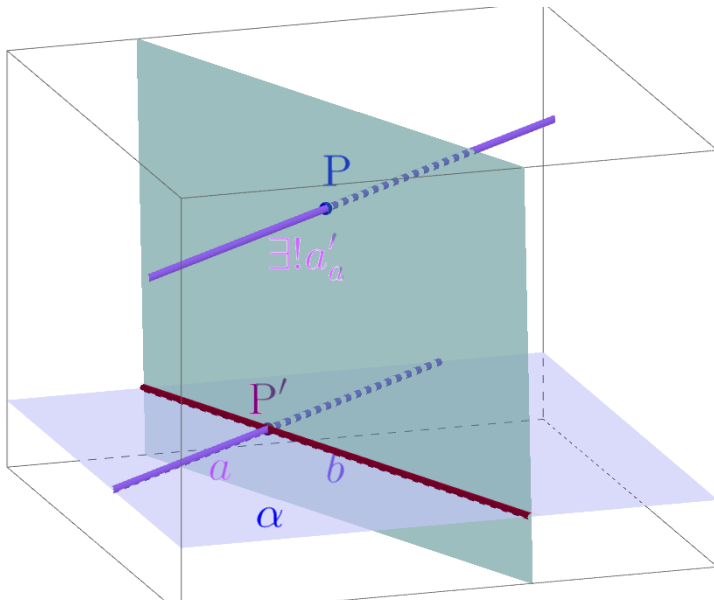
▶ End



A plane parallel to a given plane exists through a point that is not on the given plane.

▶ Start

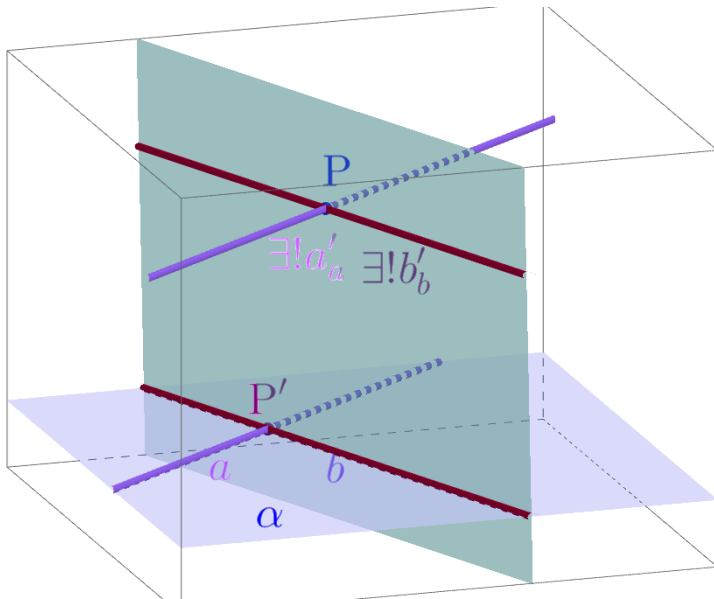
▶ End



A plane parallel to a given plane exists through a point that is not on the given plane.

▶ Start

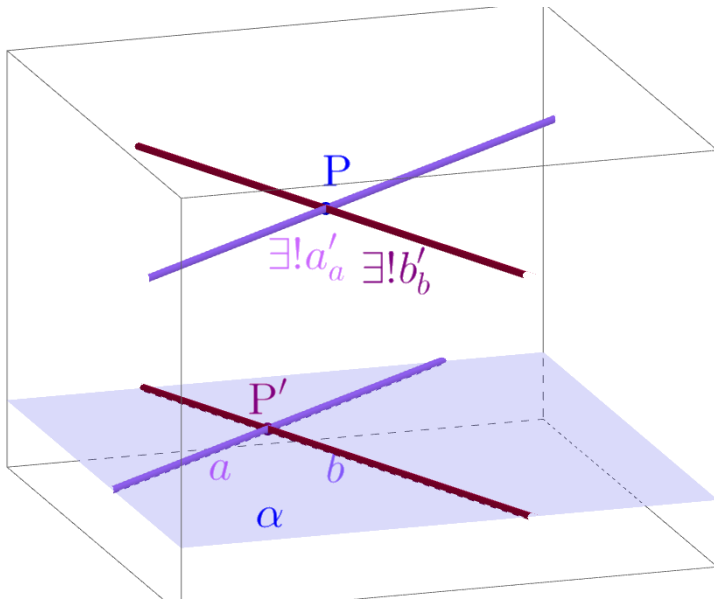
▶ End



A plane parallel to a given plane exists through a point that is not on the given plane.

▶ Start

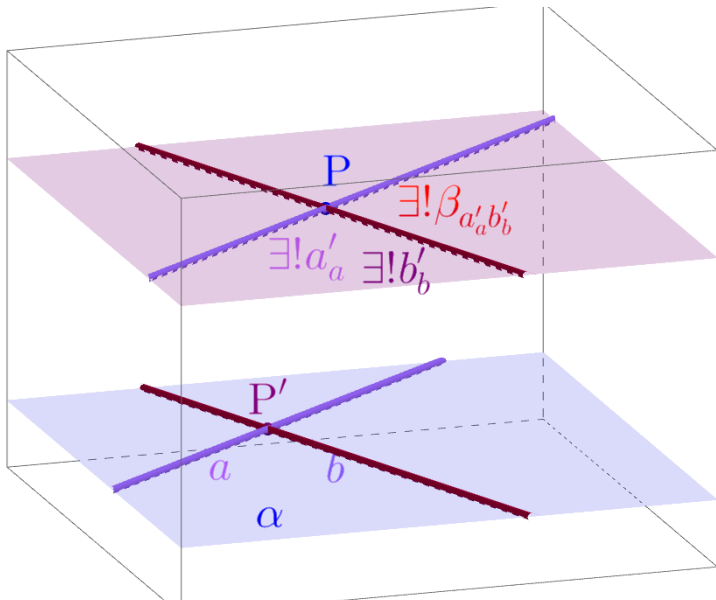
▶ End



A plane parallel to a given plane exists through a point that is not on the given plane.

▶ Start

▶ End



A plane parallel to a given plane exists through a point that is not on the given plane.

Github:

<https://min7014.github.io/math20221221001.html>

Click or paste URL into the URL search bar,
and you can see a picture moving.