

Three straight lines a, b, c that do not lie in the same plane are parallel to a and c if a and b are parallel and b and c are parallel.

한 평면에 위에 있지 않은 세 직선 a, b, c 가 a 와 b 가
평행하고 b 와 c 가 평행할 때 a 와 c 가 평행하다.

(Three straight lines a, b, c that do not lie in the same plane are
parallel to a and c if a and b are parallel and b and c are parallel.)

Three straight lines a , b , c that do not lie in the same plane are parallel to a and c if a and b are parallel and b and c are parallel.

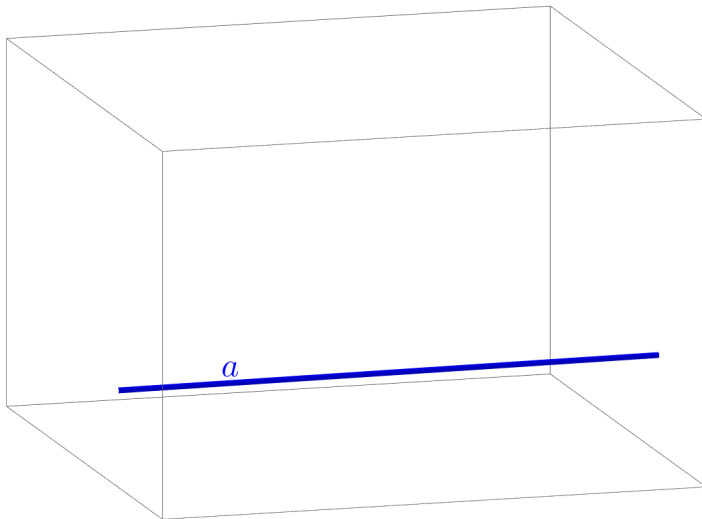
▶ Start

▶ End

Three straight lines a , b , c that do not lie in the same plane are parallel to a and c if a and b are parallel and b and c are parallel.

▶ Start

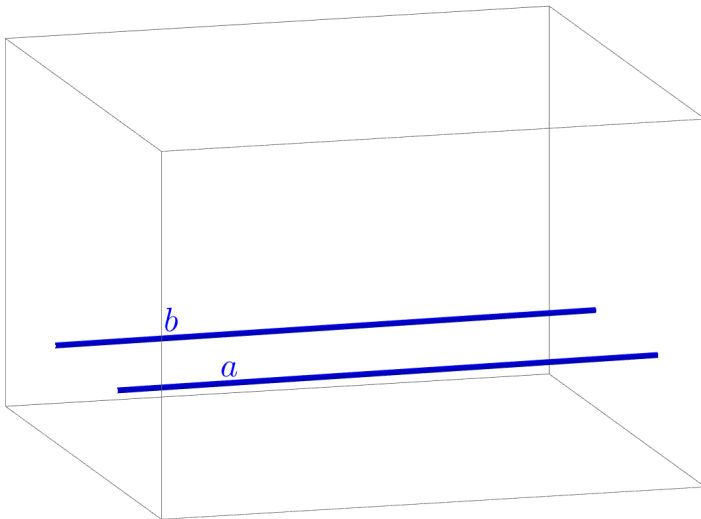
▶ End



Three straight lines a , b , c that do not lie in the same plane are parallel to a and c if a and b are parallel and b and c are parallel.

▶ Start

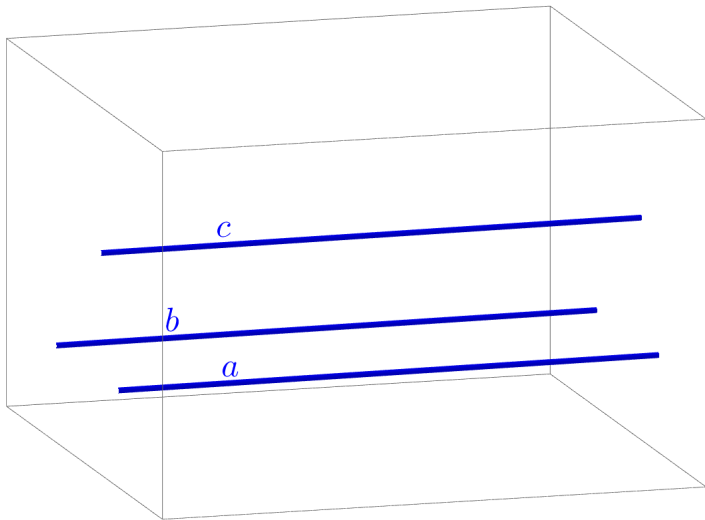
▶ End



Three straight lines a , b , c that do not lie in the same plane are parallel to a and c if a and b are parallel and b and c are parallel.

▶ Start

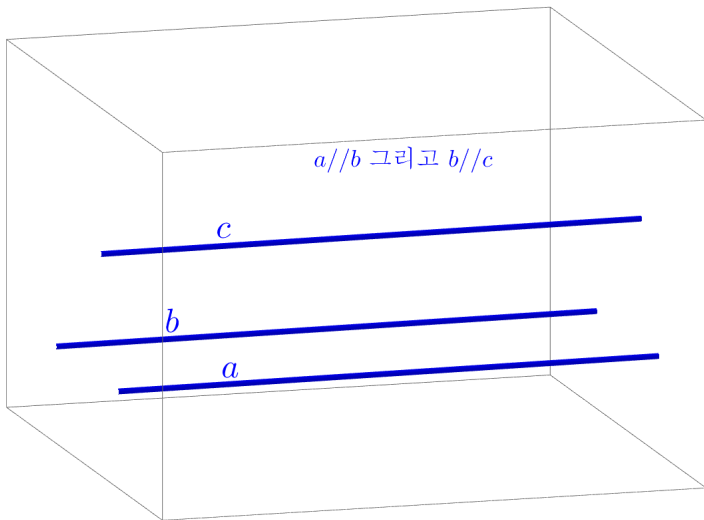
▶ End



Three straight lines a , b , c that do not lie in the same plane are parallel to a and c if a and b are parallel and b and c are parallel.

▶ Start

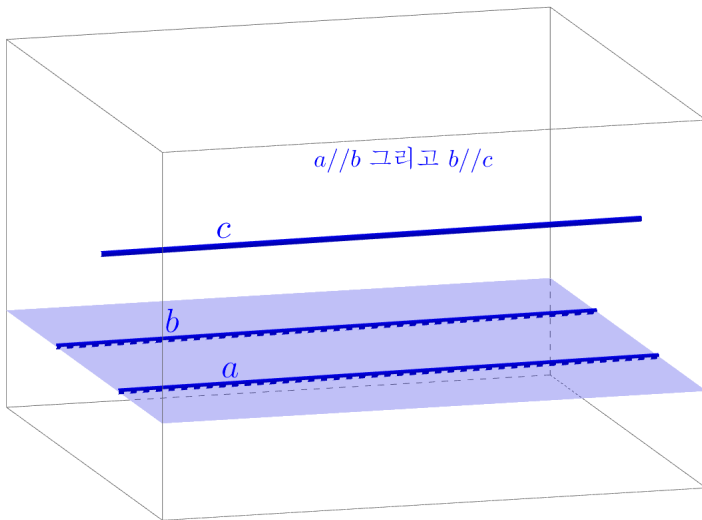
▶ End



Three straight lines a , b , c that do not lie in the same plane are parallel to a and c if a and b are parallel and b and c are parallel.

▶ Start

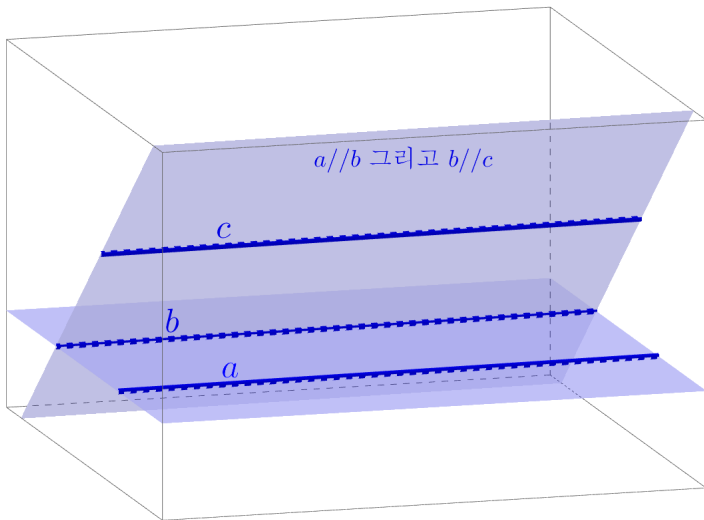
▶ End



Three straight lines a , b , c that do not lie in the same plane are parallel to a and c if a and b are parallel and b and c are parallel.

▶ Start

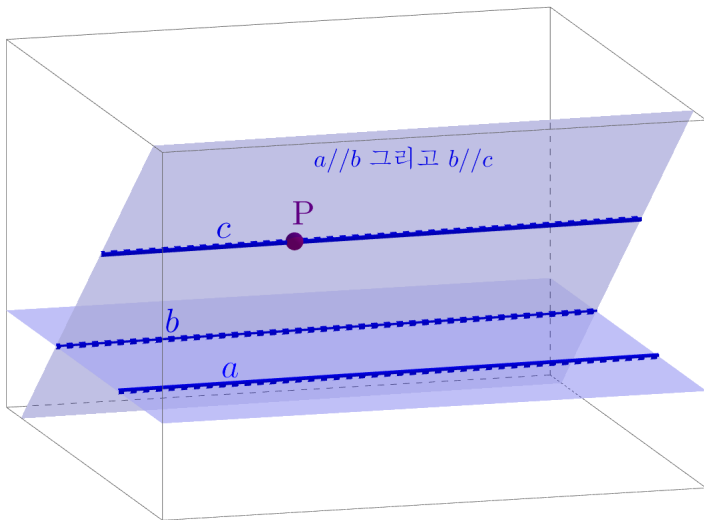
▶ End



Three straight lines a , b , c that do not lie in the same plane are parallel to a and c if a and b are parallel and b and c are parallel.

▶ Start

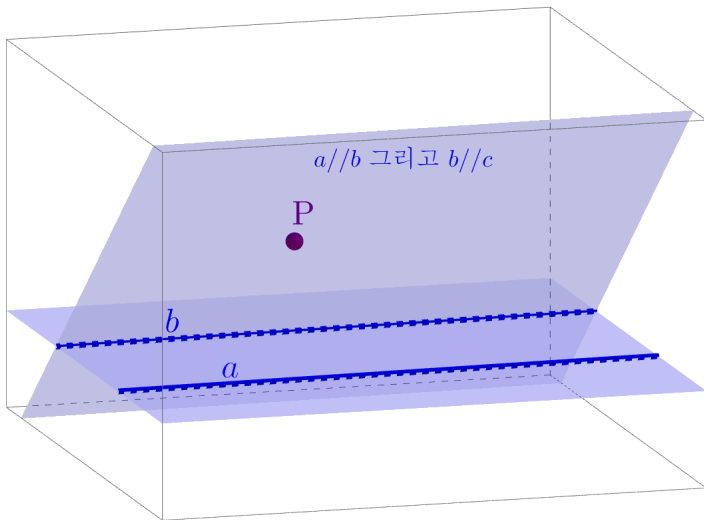
▶ End



Three straight lines a , b , c that do not lie in the same plane are parallel to a and c if a and b are parallel and b and c are parallel.

▶ Start

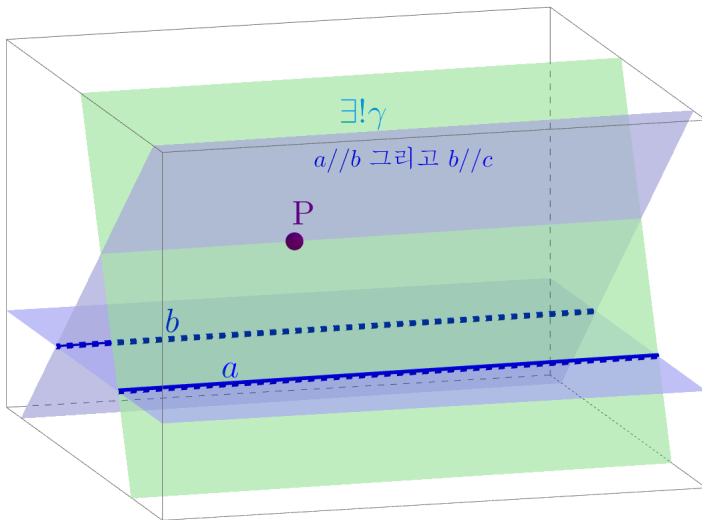
▶ End



Three straight lines a , b , c that do not lie in the same plane are parallel to a and c if a and b are parallel and b and c are parallel.

▶ Start

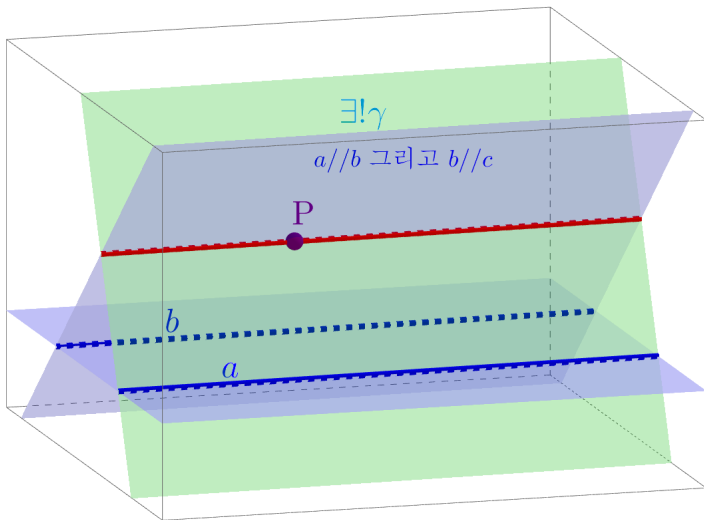
▶ End



Three straight lines a , b , c that do not lie in the same plane are parallel to a and c if a and b are parallel and b and c are parallel.

▶ Start

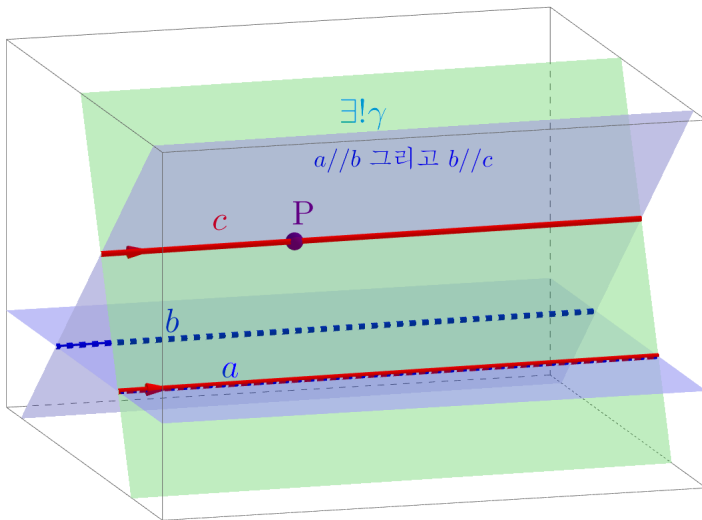
▶ End



Three straight lines a , b , c that do not lie in the same plane are parallel to a and c if a and b are parallel and b and c are parallel.

▶ Start

▶ End



Three straight lines a , b , c that do not lie in the same plane are parallel to a and c if a and b are parallel and b and c are parallel.

Github:

<https://min7014.github.io/math20221214003.html>

Click or paste URL into the URL search bar,
and you can see a picture moving.