

If two straight lines are parallel and in a plane one straight line is included and the other straight line is not, then the straight line not included in this plane is parallel to this plane.

두 직선이 평행하고 어떤 평면에 대하여 한 직선은 포함되고 다른 직선은 포함되지 않는다면 이 평면과 포함되지 않는 직선은 이 평면과 평행하다.  
(If two straight lines are parallel and in a plane one straight line is included and the other straight line is not, then the straight line not included in this plane is parallel to this plane.)

If two straight lines are parallel and in a plane one straight line is included and the other straight line is not, then the straight line not included in this plane is parallel to this plane.

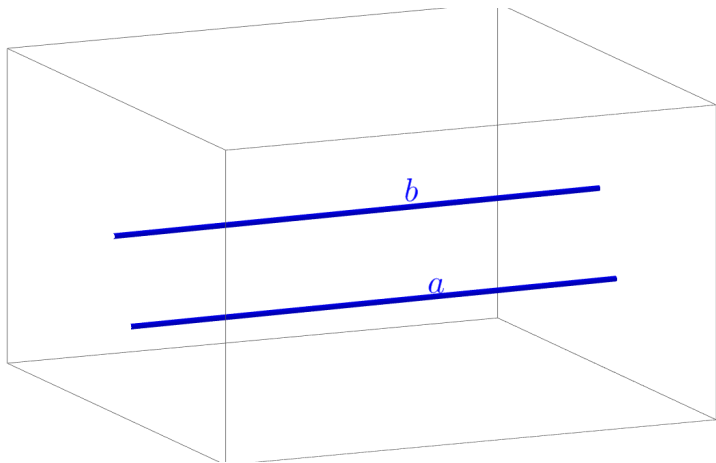
▶ Start

▶ End

If two straight lines are parallel and in a plane one straight line is included and the other straight line is not, then the straight line not included in this plane is parallel to this plane.

▶ Start

▶ End

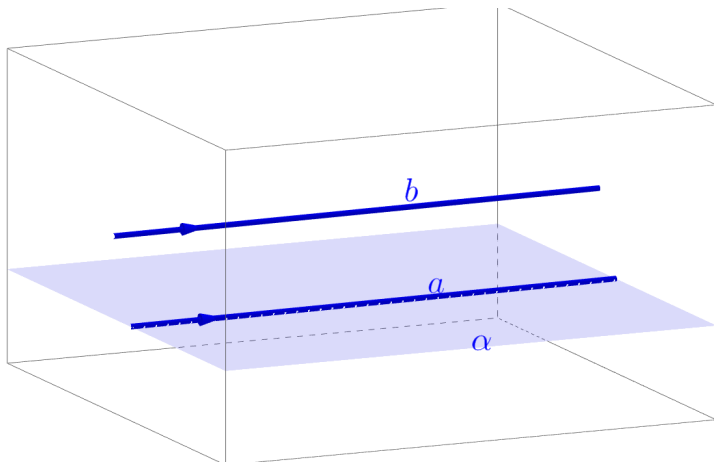




If two straight lines are parallel and in a plane one straight line is included and the other straight line is not, then the straight line not included in this plane is parallel to this plane.

▶ Start

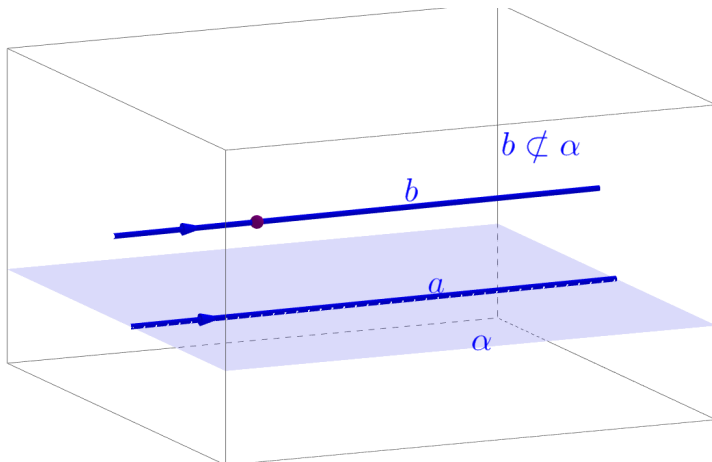
▶ End



If two straight lines are parallel and in a plane one straight line is included and the other straight line is not, then the straight line not included in this plane is parallel to this plane.

▶ Start

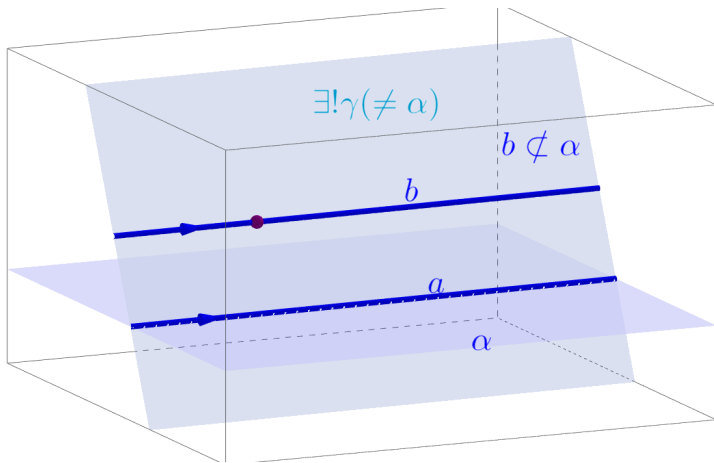
▶ End



If two straight lines are parallel and in a plane one straight line is included and the other straight line is not, then the straight line not included in this plane is parallel to this plane.

▶ Start

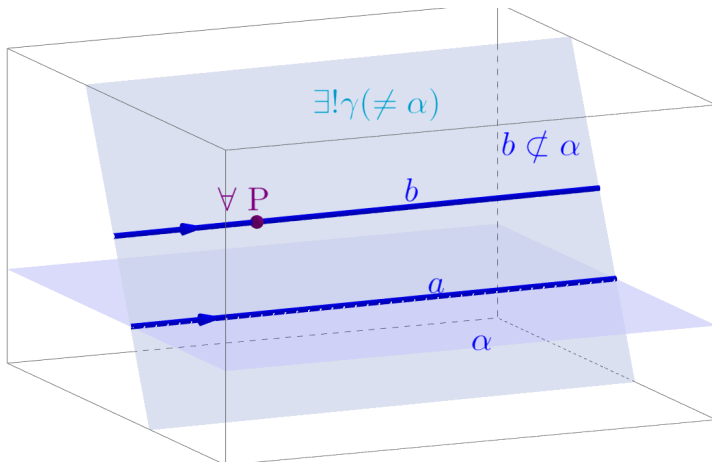
▶ End



If two straight lines are parallel and in a plane one straight line is included and the other straight line is not, then the straight line not included in this plane is parallel to this plane.

▶ Start

▶ End

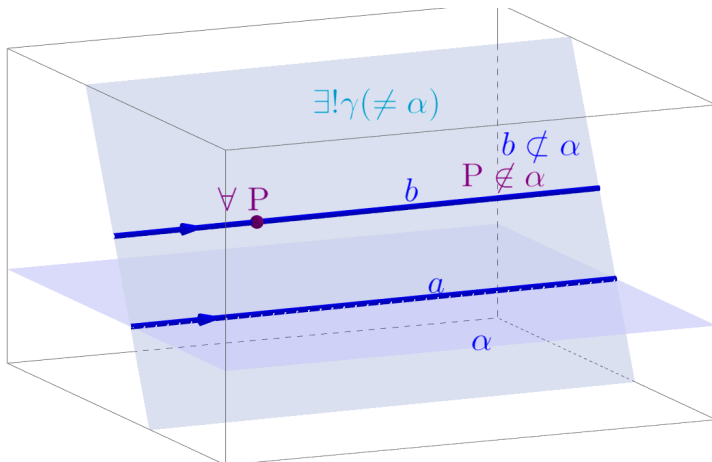




If two straight lines are parallel and in a plane one straight line is included and the other straight line is not, then the straight line not included in this plane is parallel to this plane.

▶ Start

▶ End







If two straight lines are parallel and in a plane one straight line is included and the other straight line is not, then the straight line not included in this plane is parallel to this plane.

Github:

<https://min7014.github.io/math20221214001.html>

Click or paste URL into the URL search bar,  
and you can see a picture moving.