

All points on a straight line passing through two different points on a plane lie on this plane.

한 평면 위의 서로 다른 두 점을 지나는 직선 위의 모든 점은 이 평면 위에 있다.

(All points on a straight line passing through two different points on a plane lie on this plane.)

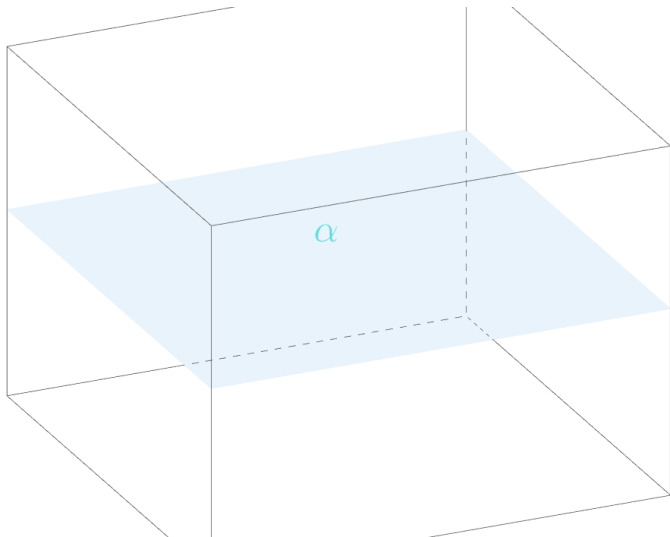
All points on a straight line passing through two different points on a plane lie on this plane.

▶ Start

▶ End

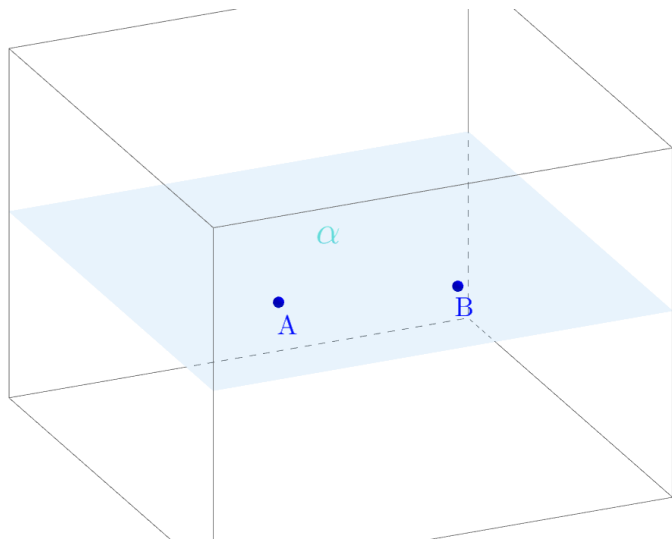
All points on a straight line passing through two different points on a plane lie on this plane.

▶ Start ▶ End



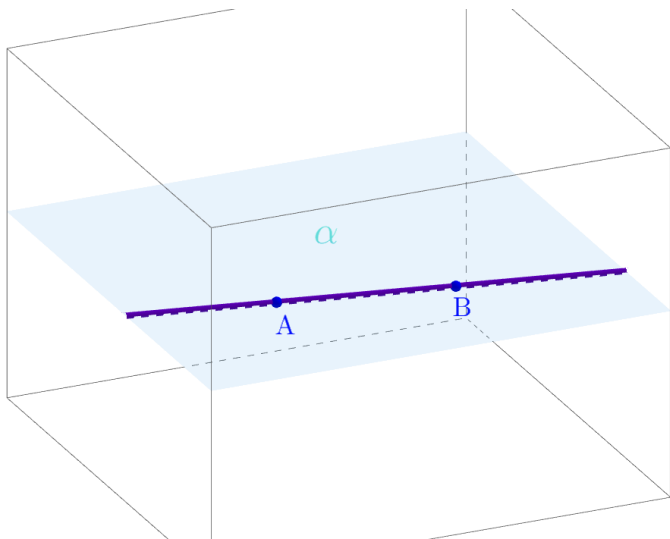
All points on a straight line passing through two different points on a plane lie on this plane.

▶ Start ▶ End



All points on a straight line passing through two different points on a plane lie on this plane.

▶ Start ▶ End



All points on a straight line passing through two different points on a plane lie on this plane.

Github:

<https://min7014.github.io/math20221122001.html>

Click or paste URL into the URL search bar,  
and you can see a picture moving.