

Draw hyperbola $\frac{x^2}{a^2} - \frac{y^2}{b^2} = 1$ ($a > 0, b > 0$)

$$\frac{x^2}{a^2} - \frac{y^2}{b^2} = 1 \text{ 쌍곡선 그리기}$$

(Draw hyperbola $\frac{x^2}{a^2} - \frac{y^2}{b^2} = 1$ ($a > 0, b > 0$))

Draw hyperbola $\frac{x^2}{a^2} - \frac{y^2}{b^2} = 1$ ($a > 0, b > 0$)

▶ Start

▶ End

Draw hyperbola $\frac{x^2}{a^2} - \frac{y^2}{b^2} = 1$ ($a > 0, b > 0$)

▶ Start

▶ End

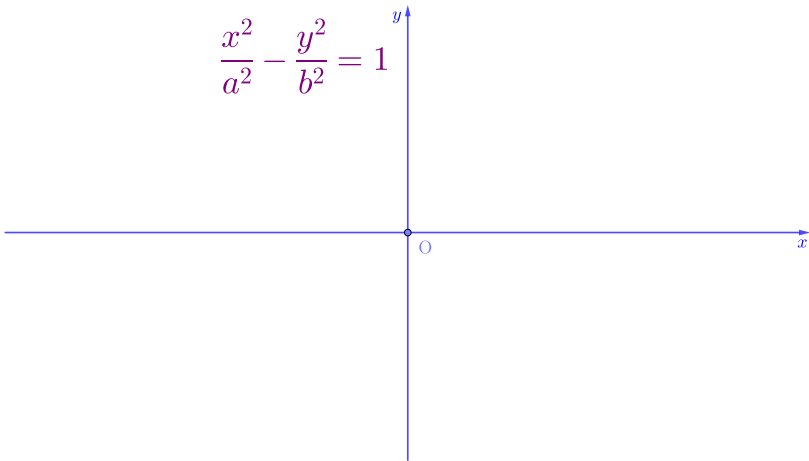
$$\frac{x^2}{a^2} - \frac{y^2}{b^2} = 1$$

Draw hyperbola $\frac{x^2}{a^2} - \frac{y^2}{b^2} = 1$ ($a > 0, b > 0$)

▶ Start

▶ End

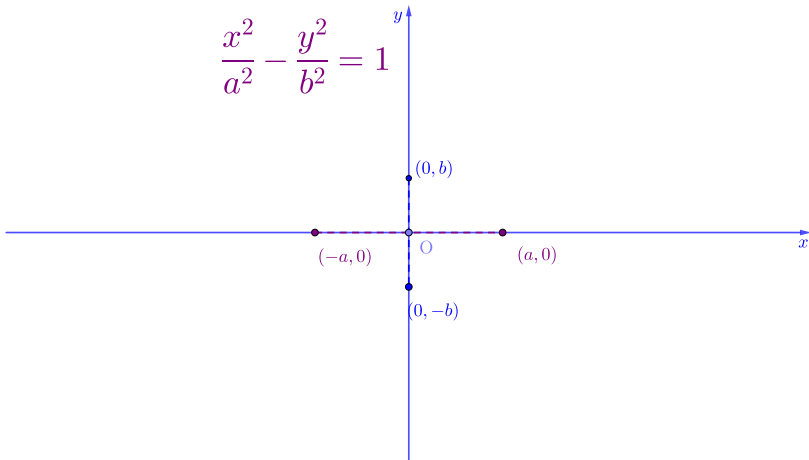
$$\frac{x^2}{a^2} - \frac{y^2}{b^2} = 1$$



Draw hyperbola $\frac{x^2}{a^2} - \frac{y^2}{b^2} = 1$ ($a > 0, b > 0$)

▶ Start

▶ End

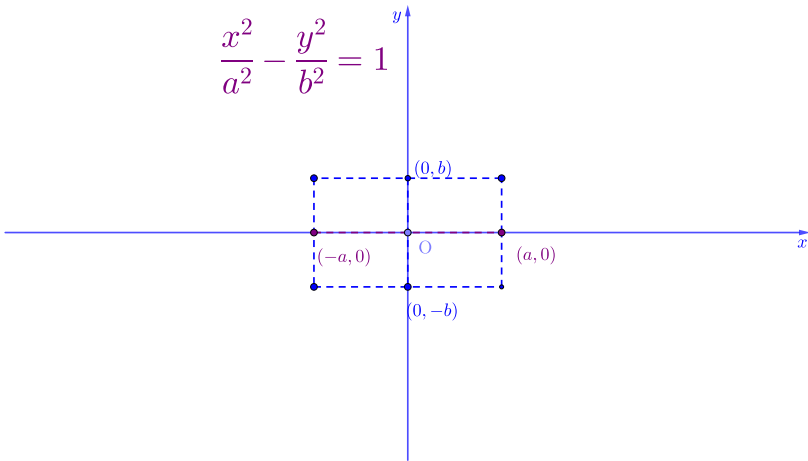


Draw hyperbola $\frac{x^2}{a^2} - \frac{y^2}{b^2} = 1$ ($a > 0, b > 0$)

▶ Start

▶ End

$$\frac{x^2}{a^2} - \frac{y^2}{b^2} = 1$$

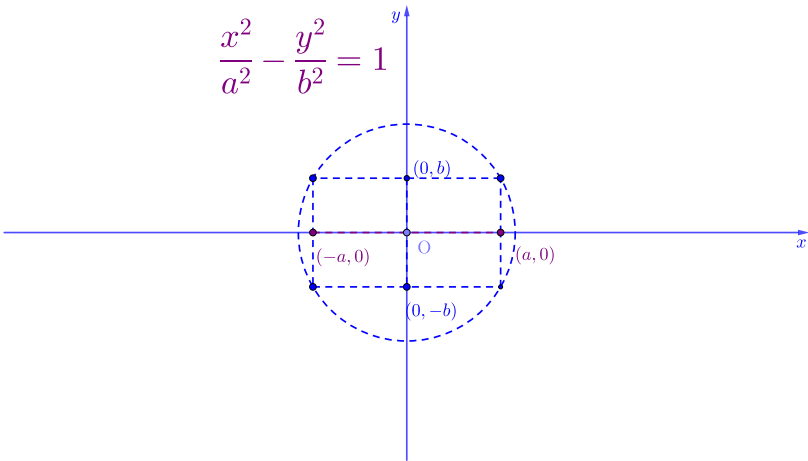


Draw hyperbola $\frac{x^2}{a^2} - \frac{y^2}{b^2} = 1$ ($a > 0, b > 0$)

▶ Start

▶ End

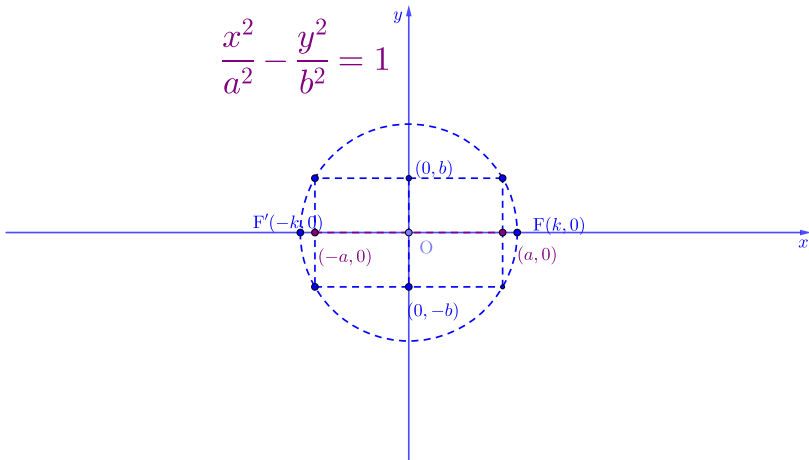
$$\frac{x^2}{a^2} - \frac{y^2}{b^2} = 1$$



Draw hyperbola $\frac{x^2}{a^2} - \frac{y^2}{b^2} = 1$ ($a > 0, b > 0$)

▶ Start

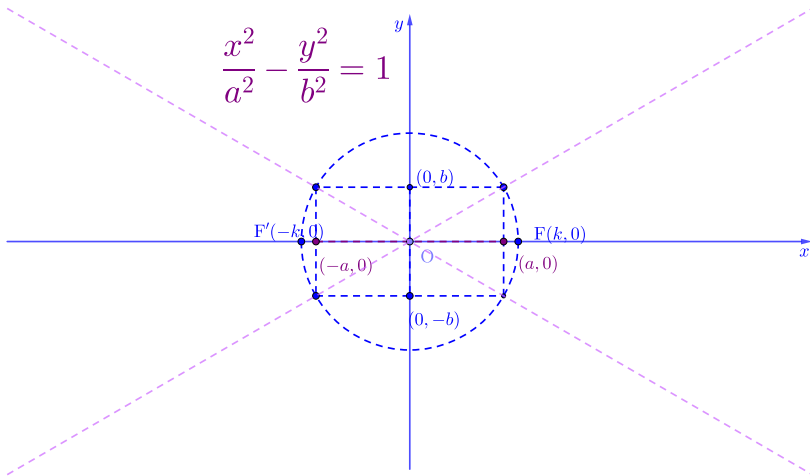
▶ End



Draw hyperbola $\frac{x^2}{a^2} - \frac{y^2}{b^2} = 1$ ($a > 0, b > 0$)

▶ Start

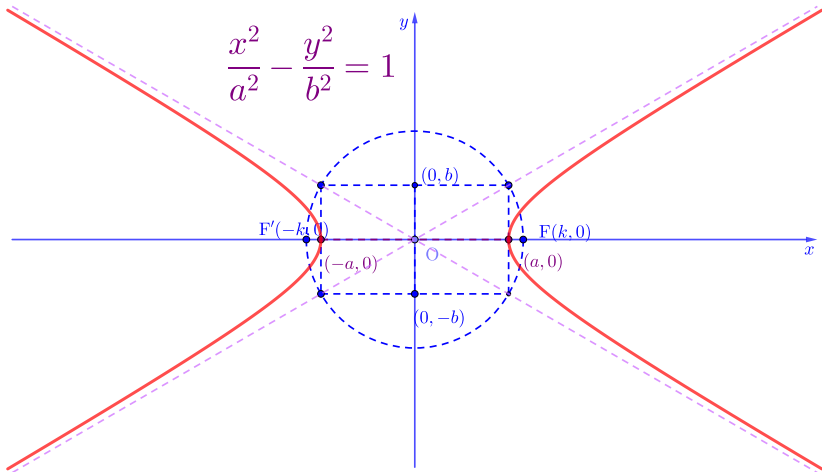
▶ End



Draw hyperbola $\frac{x^2}{a^2} - \frac{y^2}{b^2} = 1$ ($a > 0, b > 0$)

▶ Start

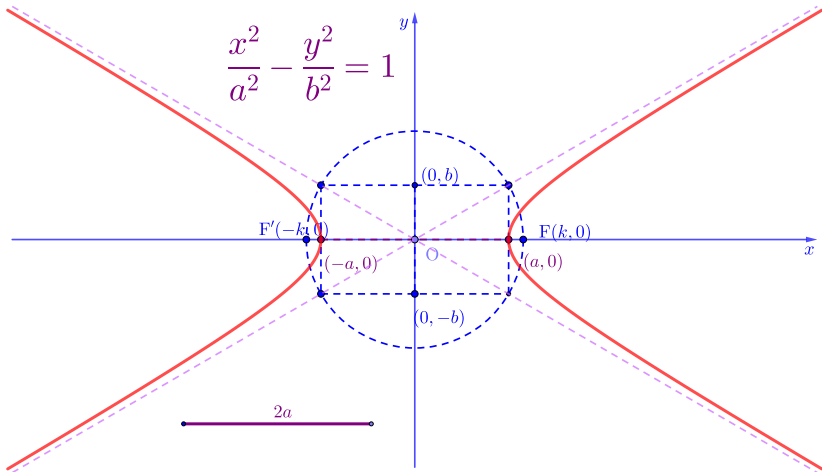
▶ End



Draw hyperbola $\frac{x^2}{a^2} - \frac{y^2}{b^2} = 1$ ($a > 0, b > 0$)

▶ Start

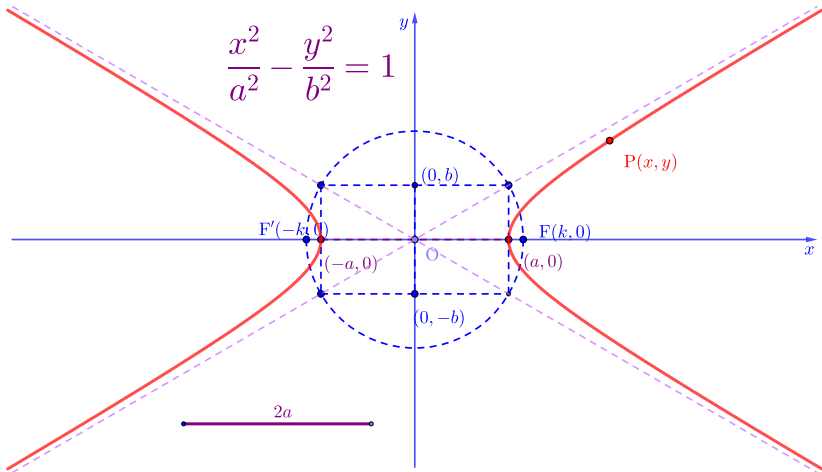
▶ End



Draw hyperbola $\frac{x^2}{a^2} - \frac{y^2}{b^2} = 1$ ($a > 0, b > 0$)

▶ Start

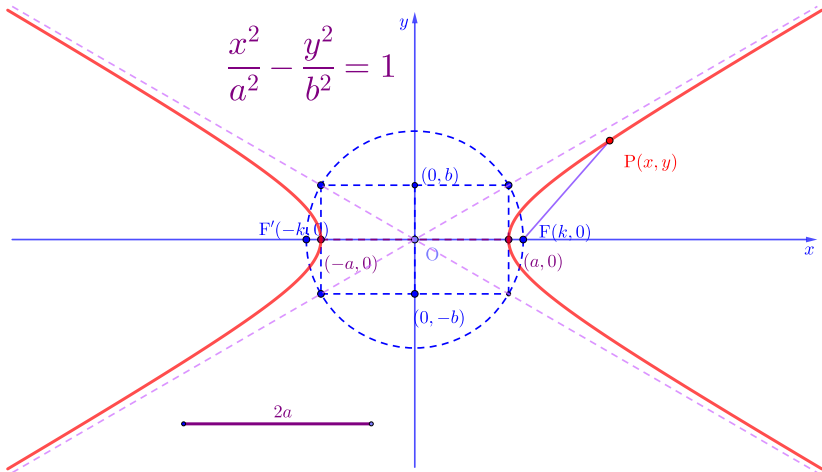
▶ End



Draw hyperbola $\frac{x^2}{a^2} - \frac{y^2}{b^2} = 1$ ($a > 0, b > 0$)

▶ Start

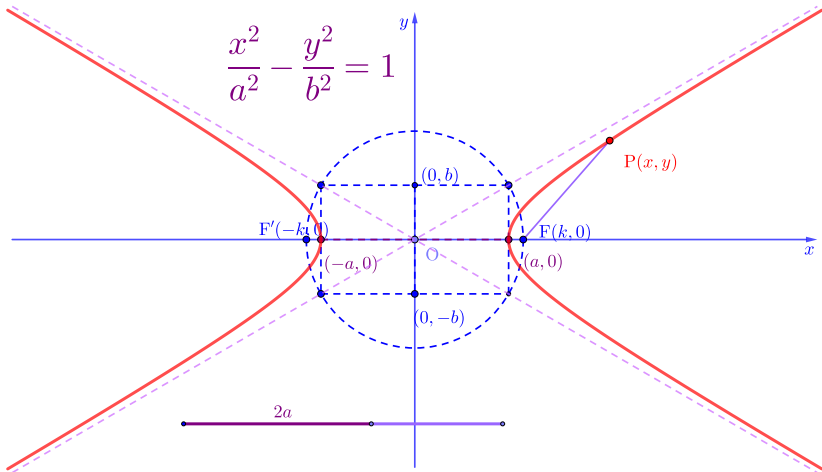
▶ End



Draw hyperbola $\frac{x^2}{a^2} - \frac{y^2}{b^2} = 1$ ($a > 0, b > 0$)

▶ Start

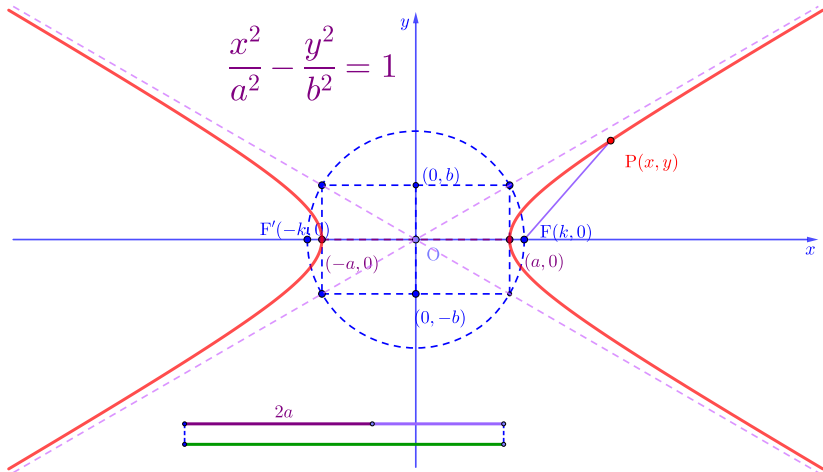
▶ End



Draw hyperbola $\frac{x^2}{a^2} - \frac{y^2}{b^2} = 1$ ($a > 0, b > 0$)

▶ Start

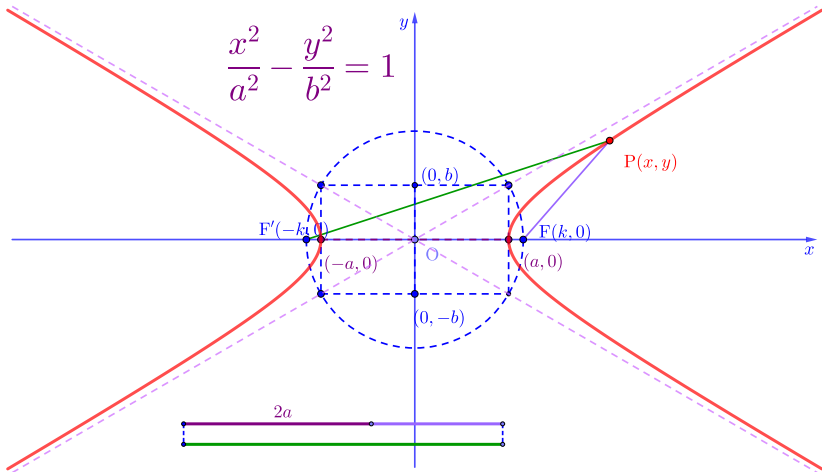
▶ End



Draw hyperbola $\frac{x^2}{a^2} - \frac{y^2}{b^2} = 1$ ($a > 0, b > 0$)

▶ Start

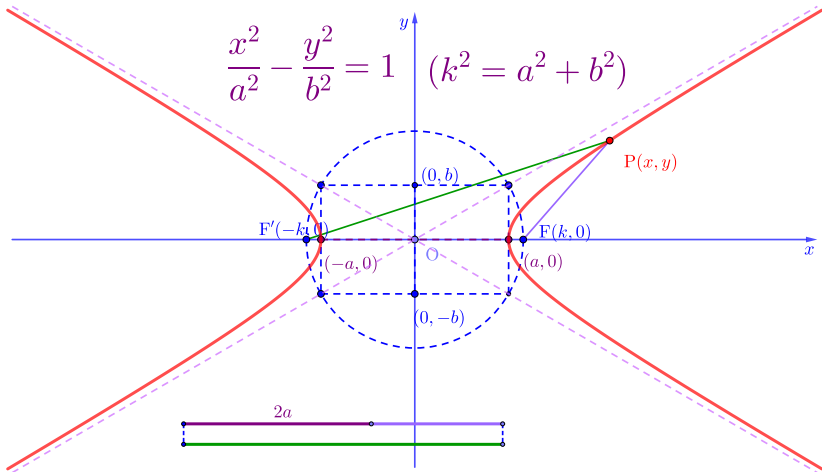
▶ End



Draw hyperbola $\frac{x^2}{a^2} - \frac{y^2}{b^2} = 1$ ($a > 0, b > 0$)

▶ Start

▶ End



Draw hyperbola $\frac{x^2}{a^2} - \frac{y^2}{b^2} = 1$ ($a > 0, b > 0$)

Github:

<https://min7014.github.io/math20220704001.html>

Click or paste URL into the URL search bar,
and you can see a picture moving.