

The area of a rectangle made of two points that intersect a straight line perpendicular to the major axis at the ellipse and the focal point and the endpoints of the major axis is constant regardless of the length of the major axis of the ellipse.

타원과 초점에서 장축에 수직인 직선과 만나는 두 점과 장축의 끝점으로 만들어진 사각형의 넓이가 타원의 장축의 길이에 관계없이 일정하다.

(The area of a rectangle made of two points that intersect a straight line perpendicular to the major axis at the ellipse and the focal point and the endpoints of the major axis is constant regardless of the length of the major axis of the ellipse.)

The area of a rectangle made of two points that intersect a straight line perpendicular to the major axis at the ellipse and the focal point and the endpoints of the major axis is constant regardless of the length of the major axis of the ellipse.

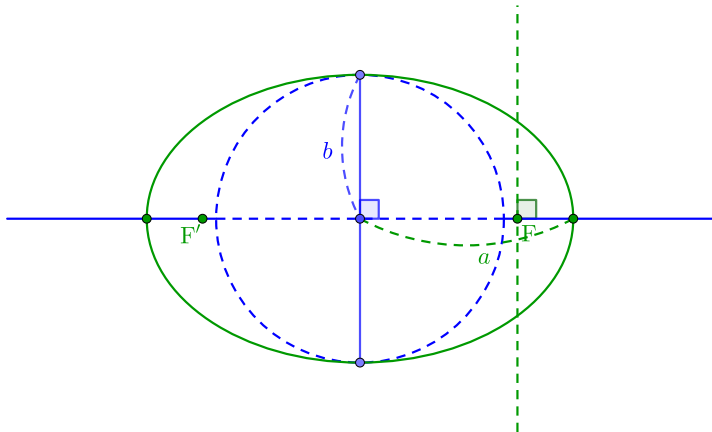
▶ Start

▶ End

The area of a rectangle made of two points that intersect a straight line perpendicular to the major axis at the ellipse and the focal point and the endpoints of the major axis is constant regardless of the length of the major axis of the ellipse.

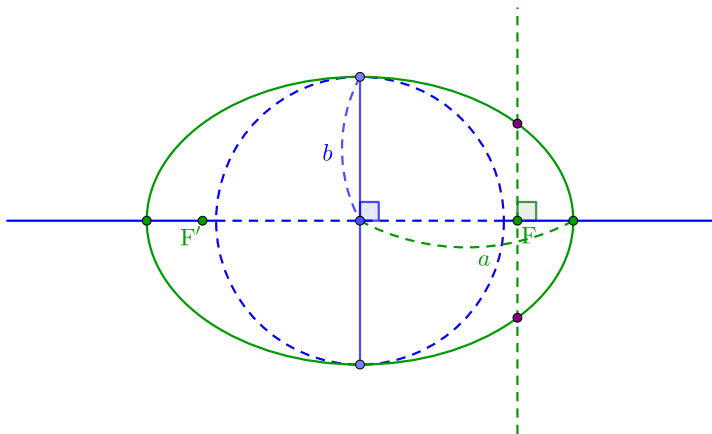
▶ Start

▶ End



The area of a rectangle made of two points that intersect a straight line perpendicular to the major axis at the ellipse and the focal point and the endpoints of the major axis is constant regardless of the length of the major axis of the ellipse.

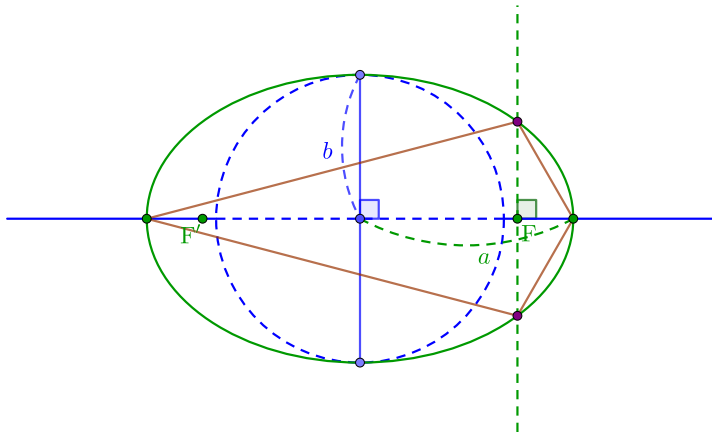
▶ Start ▶ End



The area of a rectangle made of two points that intersect a straight line perpendicular to the major axis at the ellipse and the focal point and the endpoints of the major axis is constant regardless of the length of the major axis of the ellipse.

▶ Start

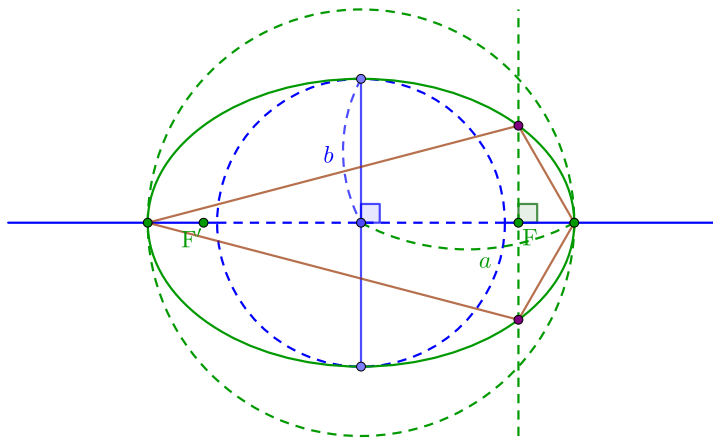
▶ End



The area of a rectangle made of two points that intersect a straight line perpendicular to the major axis at the ellipse and the focal point and the endpoints of the major axis is constant regardless of the length of the major axis of the ellipse.

▶ Start

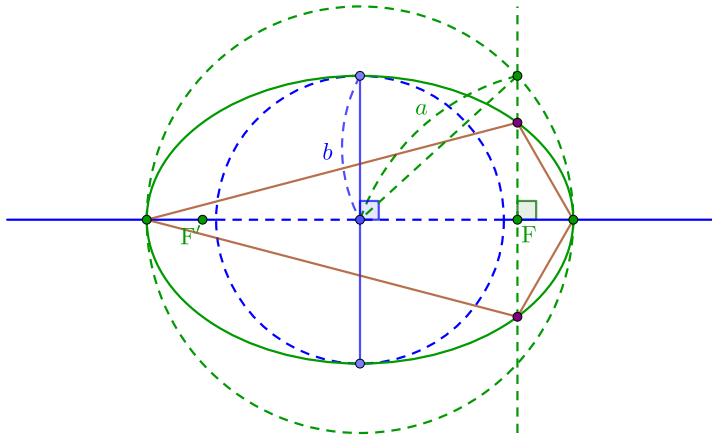
▶ End



The area of a rectangle made of two points that intersect a straight line perpendicular to the major axis at the ellipse and the focal point and the endpoints of the major axis is constant regardless of the length of the major axis of the ellipse.

▶ Start

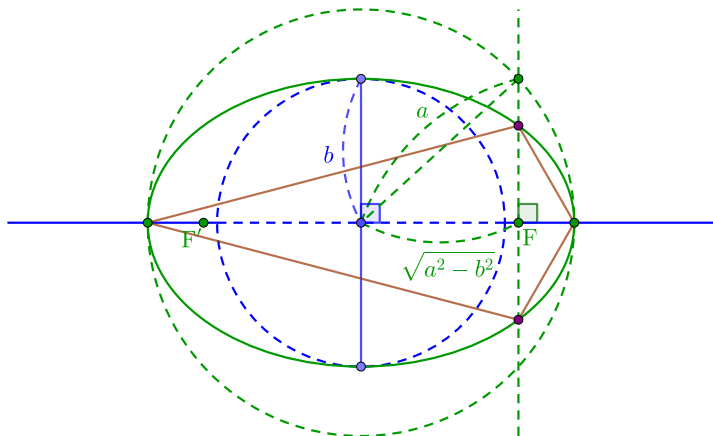
▶ End



The area of a rectangle made of two points that intersect a straight line perpendicular to the major axis at the ellipse and the focal point and the endpoints of the major axis is constant regardless of the length of the major axis of the ellipse.

▶ Start

▶ End



The area of a rectangle made of two points that intersect a straight line perpendicular to the major axis at the ellipse and the focal point and the endpoints of the major axis is constant regardless of the length of the major axis of the ellipse.

Github:

<https://min7014.github.io/math20220531001.html>

Click or paste URL into the URL search bar,
and you can see a picture moving.