

6-3-5 직육면체의 공간에서의 대각선의 길이  
(The length of the space diagonal of 6-3-5 regular hexahedron)

# The length of the space diagonal of 6-3-5 regular hexahedron

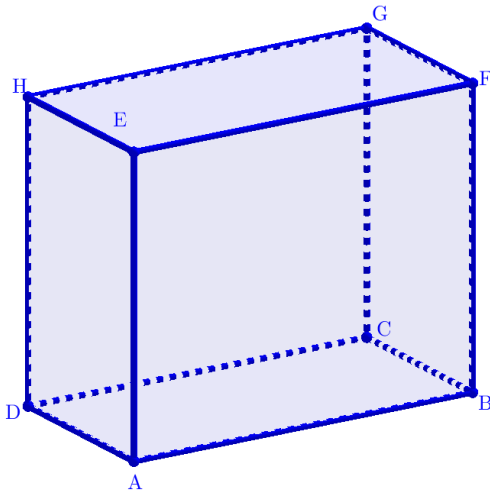
▶ Start

▶ End

# The length of the space diagonal of 6-3-5 regular hexahedron

▶ Start

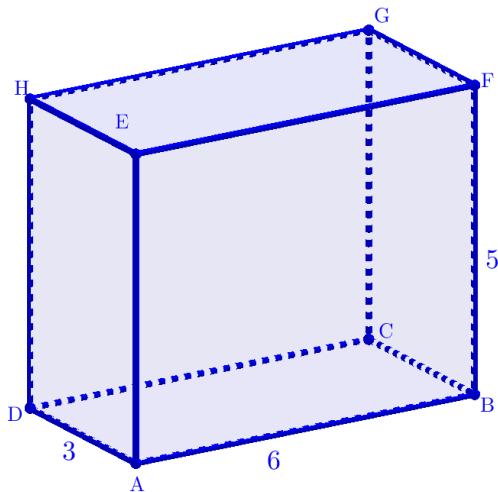
▶ End



# The length of the space diagonal of 6-3-5 regular hexahedron

▶ Start

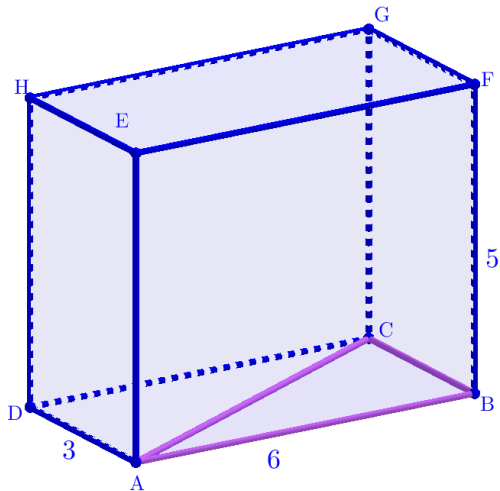
▶ End



# The length of the space diagonal of 6-3-5 regular hexahedron

▶ Start

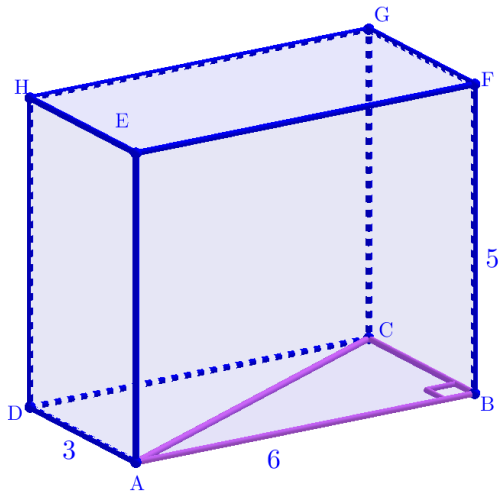
▶ End



# The length of the space diagonal of 6-3-5 regular hexahedron

▶ Start

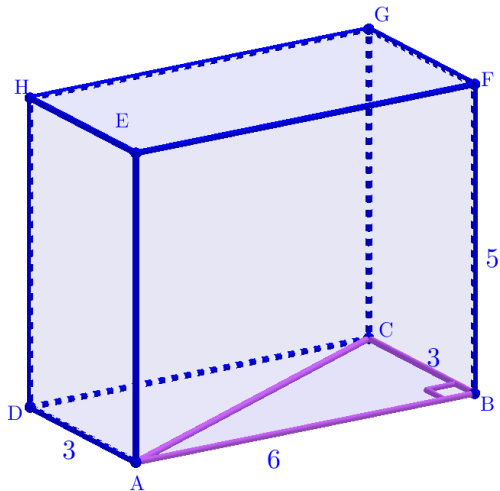
▶ End



# The length of the space diagonal of 6-3-5 regular hexahedron

▶ Start

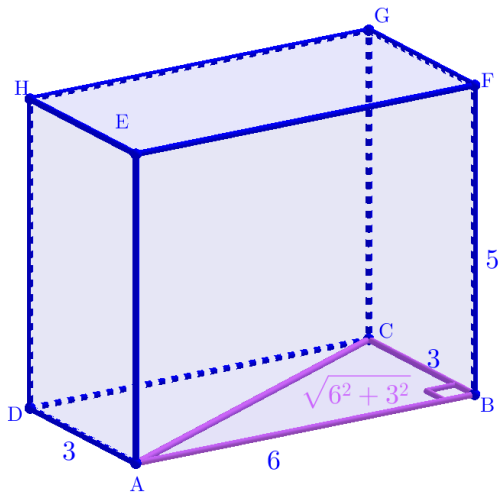
▶ End



# The length of the space diagonal of 6-3-5 regular hexahedron

▶ Start

▶ End

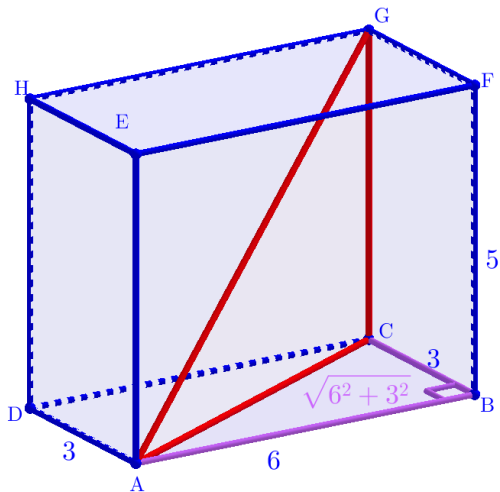




# The length of the space diagonal of 6-3-5 regular hexahedron

▶ Start

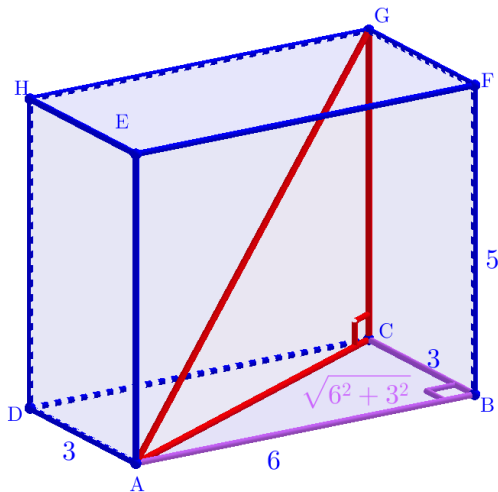
▶ End



# The length of the space diagonal of 6-3-5 regular hexahedron

▶ Start

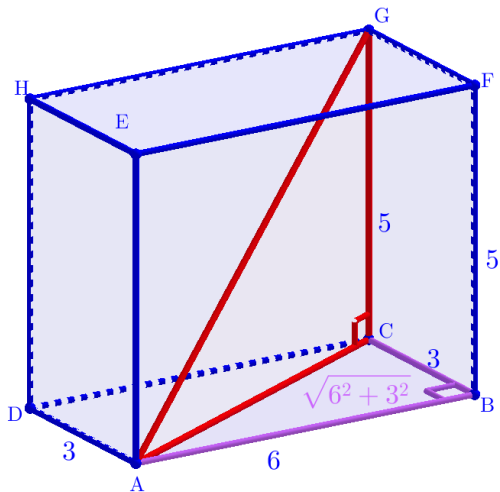
▶ End



# The length of the space diagonal of 6-3-5 regular hexahedron

▶ Start

▶ End

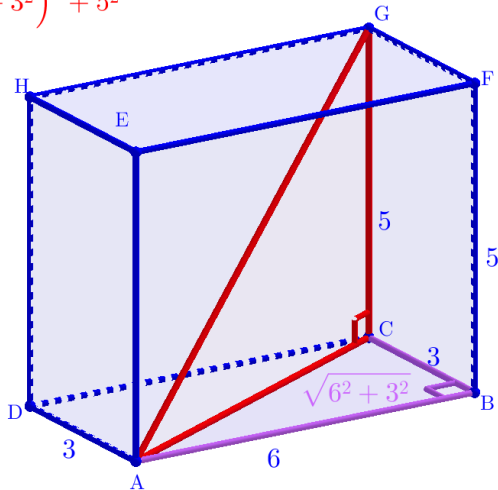


# The length of the space diagonal of 6-3-5 regular hexahedron

▶ Start

▶ End

$$\overline{AG} = \sqrt{\left(\sqrt{6^2 + 3^2}\right)^2 + 5^2}$$

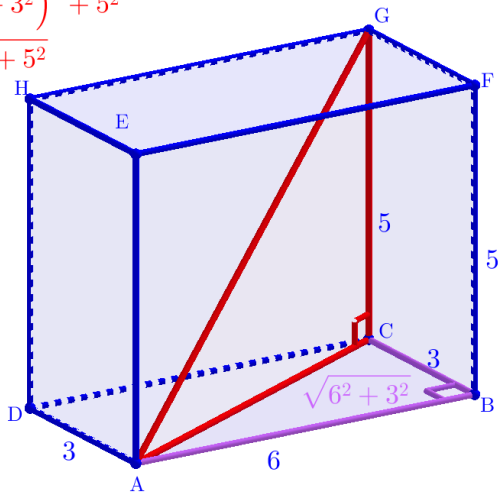


# The length of the space diagonal of 6-3-5 regular hexahedron

▶ Start

▶ End

$$\begin{aligned}\overline{AG} &= \sqrt{\left(\sqrt{6^2 + 3^2}\right)^2 + 5^2} \\ &= \sqrt{6^2 + 3^2 + 5^2}\end{aligned}$$



Github:

<https://min7014.github.io/math20210315001.html>

Click or paste URL into the URL search bar,  
and you can see a picture moving.