

Two parallel straight lines determine only one plane.

평행한 두 직선은 단 하나의 평면을 결정한다.
(Two parallel straight lines determine only one plane.)

Two parallel straight lines determine only one plane.

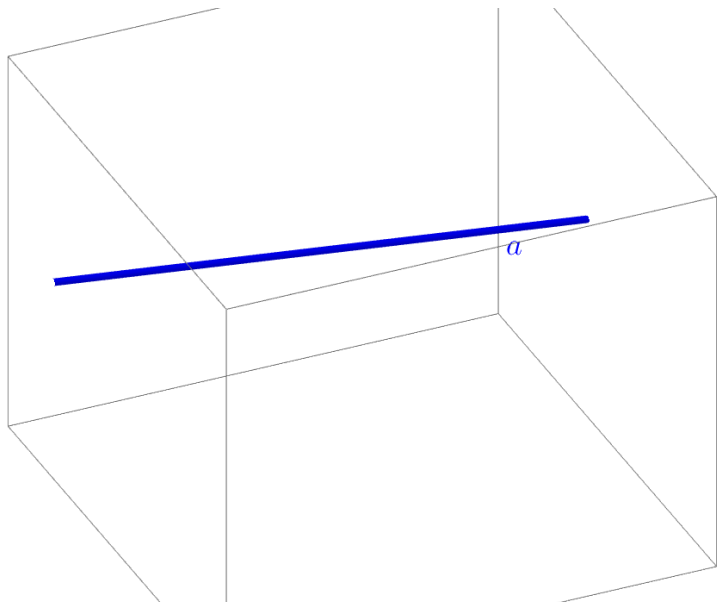
▶ Start

▶ End

Two parallel straight lines determine only one plane.

▶ Start

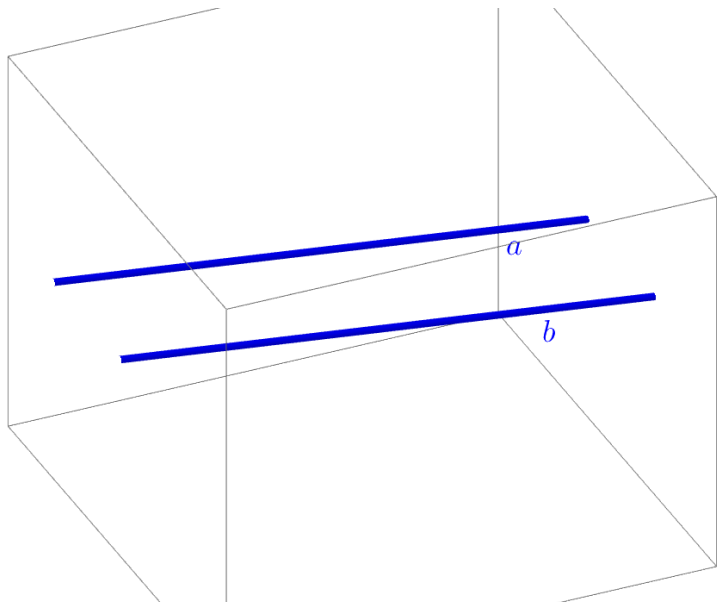
▶ End



Two parallel straight lines determine only one plane.

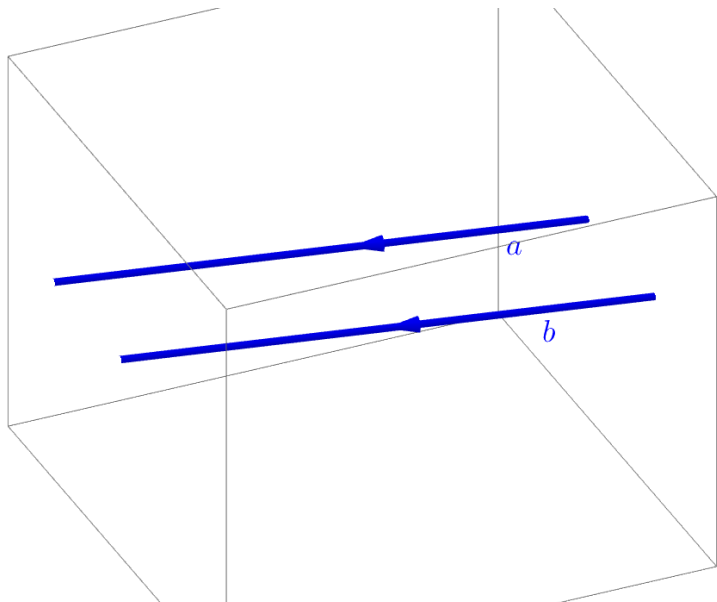
▶ Start

▶ End



Two parallel straight lines determine only one plane.

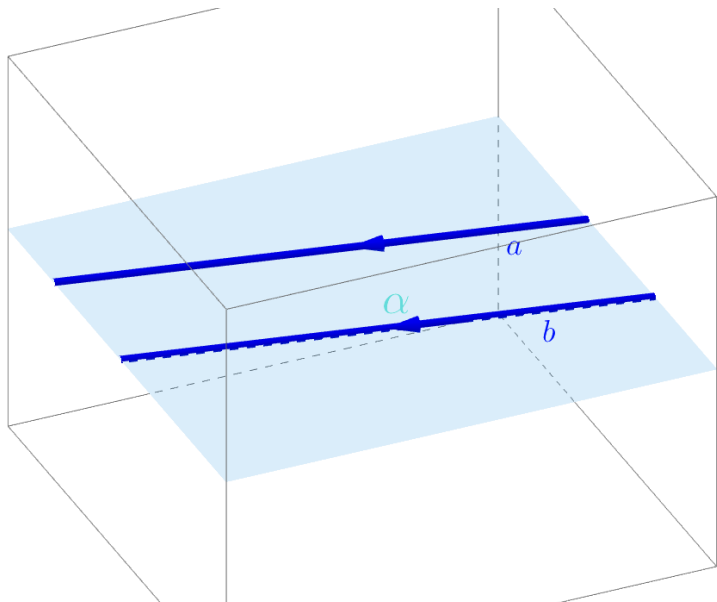
▶ Start ▶ End



Two parallel straight lines determine only one plane.

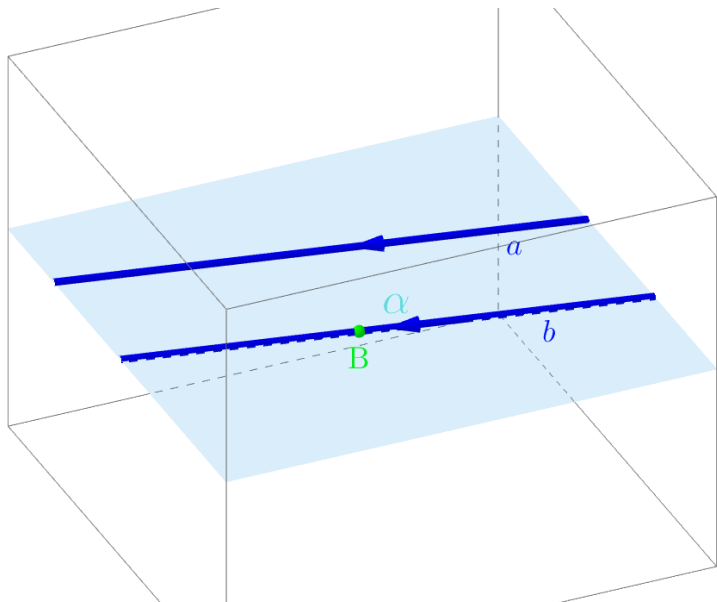
▶ Start

▶ End



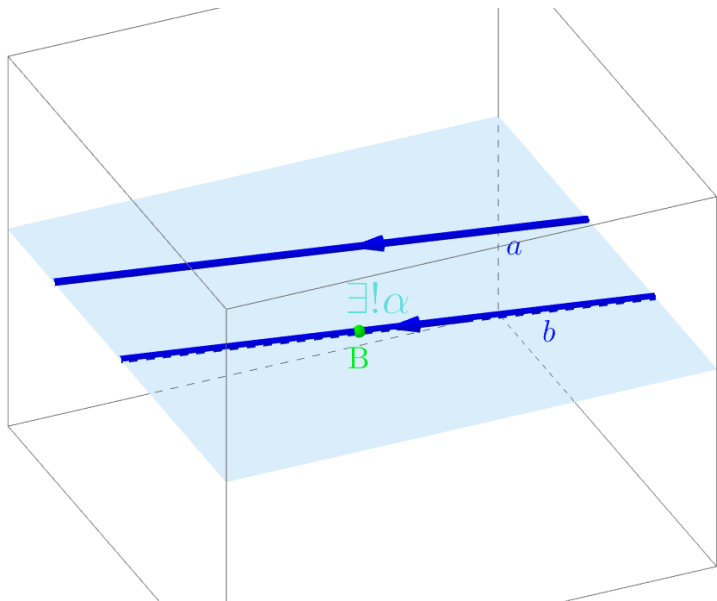
Two parallel straight lines determine only one plane.

▶ Start ▶ End



Two parallel straight lines determine only one plane.

▶ Start ▶ End



Two parallel straight lines determine only one plane.

Github:

<https://min7014.github.io/math20221202001.html>

Click or paste URL into the URL search bar,
and you can see a picture moving.