

If two different planes share a point, they share a straight line through that point.

서로 다른 두 평면이 한 점을 공유하면 이 두 평면은
그 점을 지나는 한 직선을 공유한다.

(If two different planes share a point, they share a straight line
through that point.)

If two different planes share a point, they share a straight line through that point.

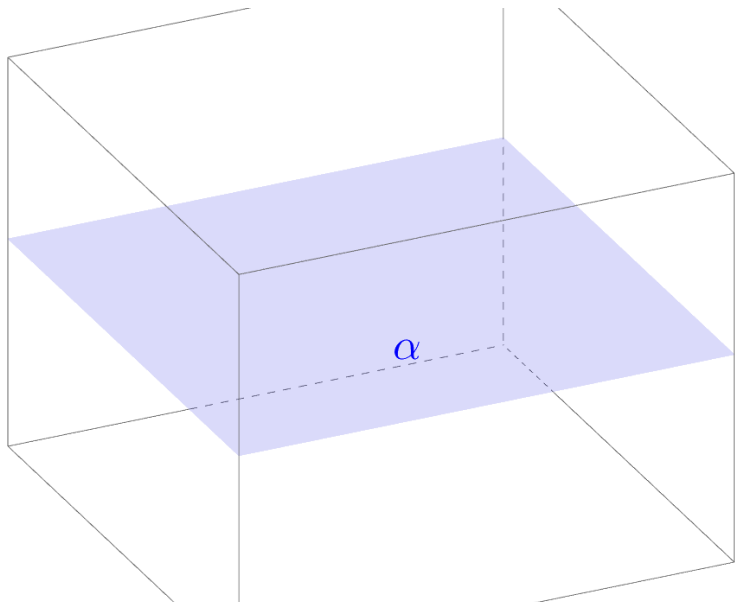
▶ Start

▶ End

If two different planes share a point, they share a straight line through that point.

▶ Start

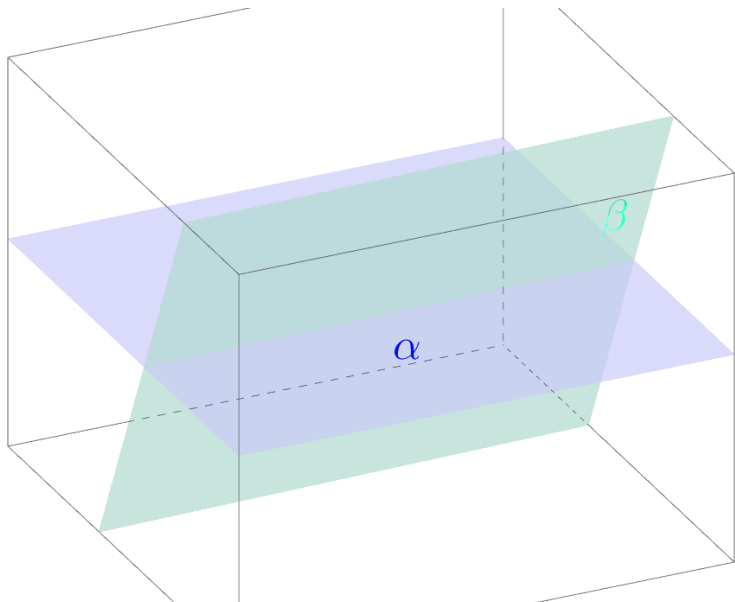
▶ End



If two different planes share a point, they share a straight line through that point.

▶ Start

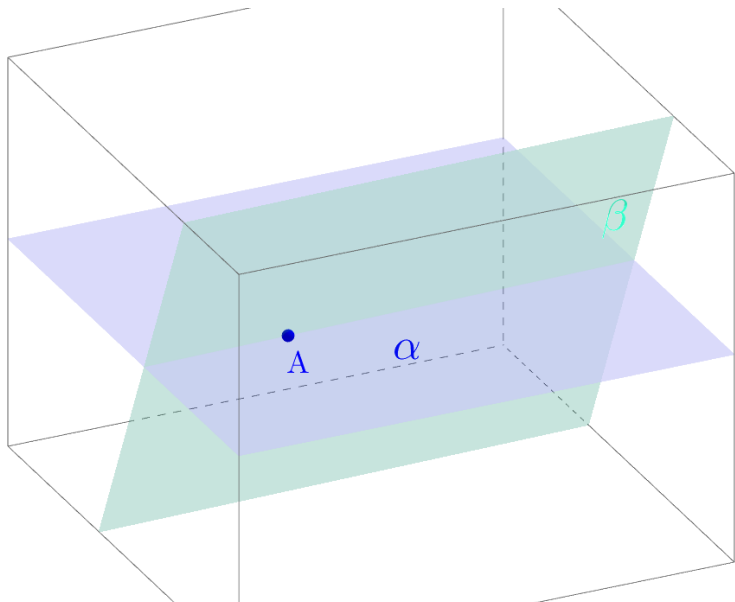
▶ End



If two different planes share a point, they share a straight line through that point.

▶ Start

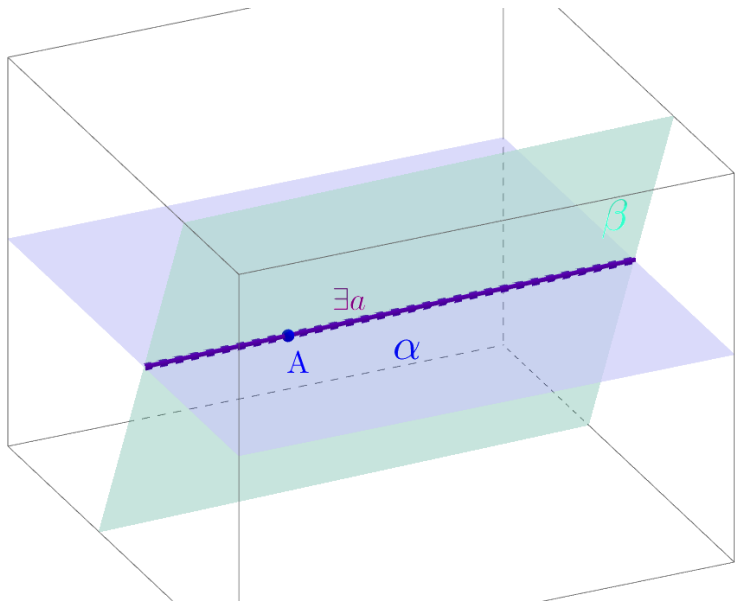
▶ End



If two different planes share a point, they share a straight line through that point.

▶ Start

▶ End



If two different planes share a point, they share a straight line through that point.

Github:

<https://min7014.github.io/math20221129001.html>

Click or paste URL into the URL search bar,
and you can see a picture moving.