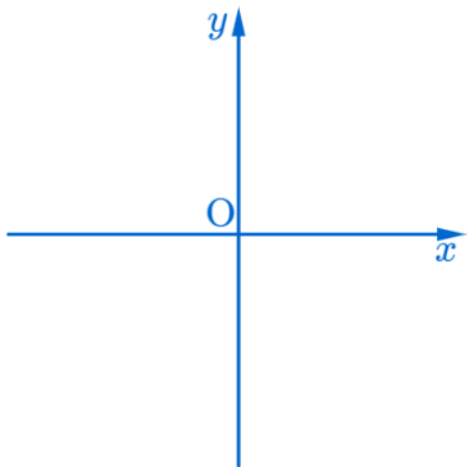


$$\lim_{x \rightarrow 0} \frac{x^2}{x} = 0$$

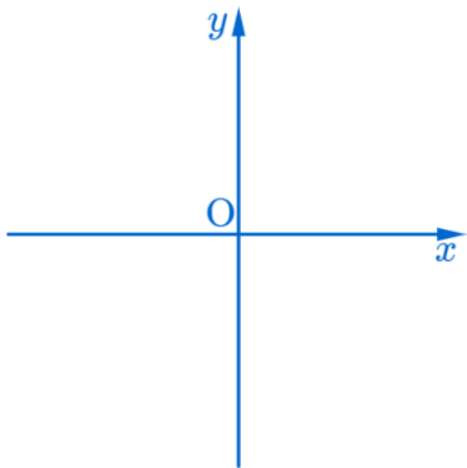
$$\lim_{x \rightarrow 0} \frac{x^2}{x} = 0$$

$$\lim_{x \rightarrow 0} \frac{x^2}{x} = 0$$

$$\lim_{x \rightarrow 0} \frac{x^2}{x} = 0$$

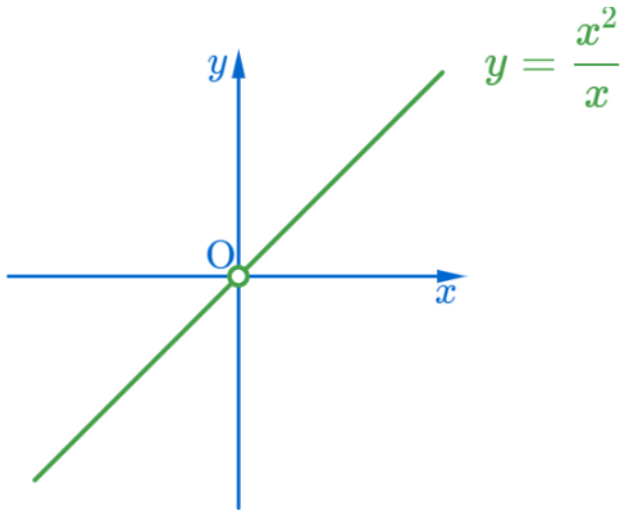


$$\lim_{x \rightarrow 0} \frac{x^2}{x} = 0$$

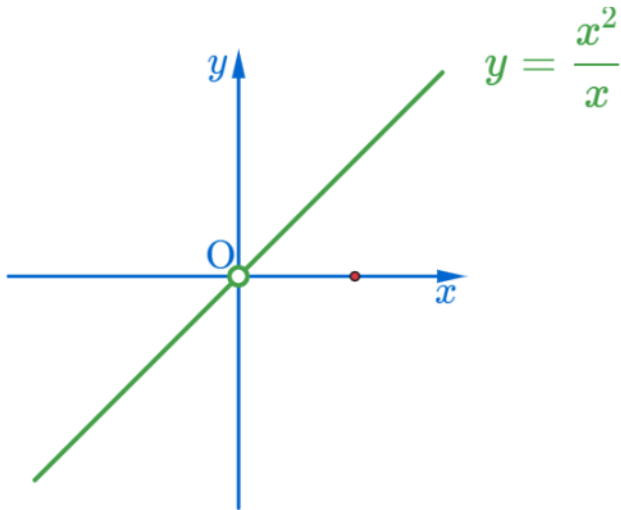


$$y = \frac{x^2}{x}$$

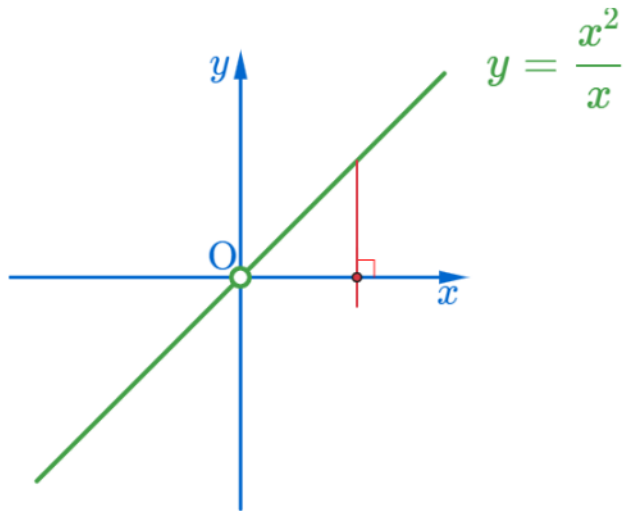
$$\lim_{x \rightarrow 0} \frac{x^2}{x} = 0$$



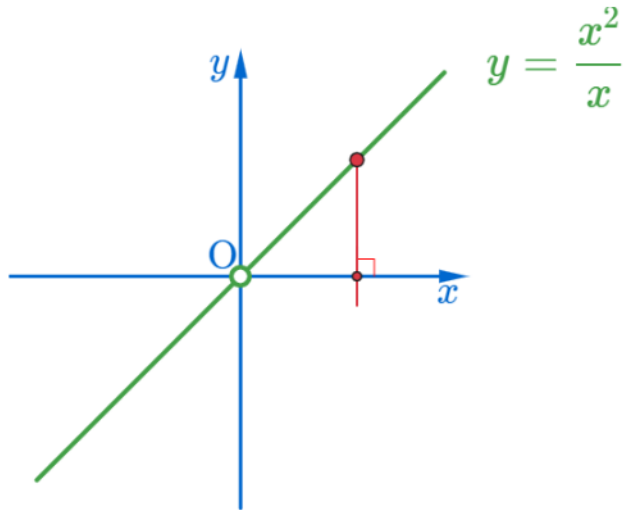
$$\lim_{x \rightarrow 0} \frac{x^2}{x} = 0$$



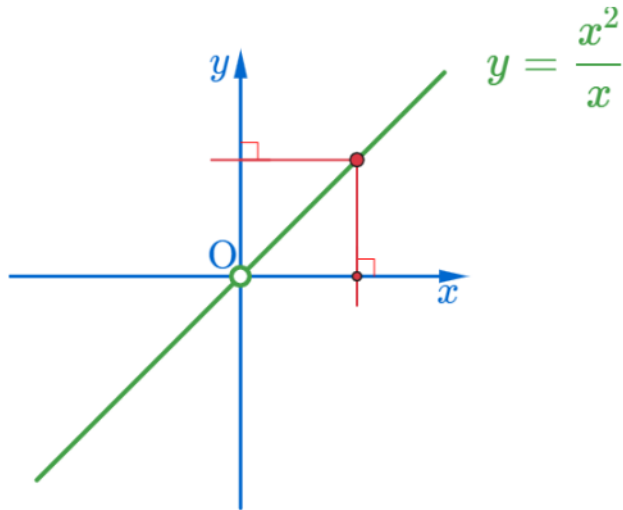
$$\lim_{x \rightarrow 0} \frac{x^2}{x} = 0$$



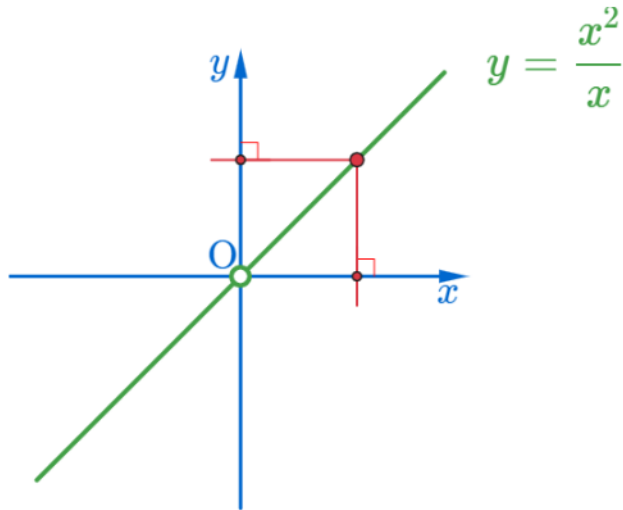
$$\lim_{x \rightarrow 0} \frac{x^2}{x} = 0$$



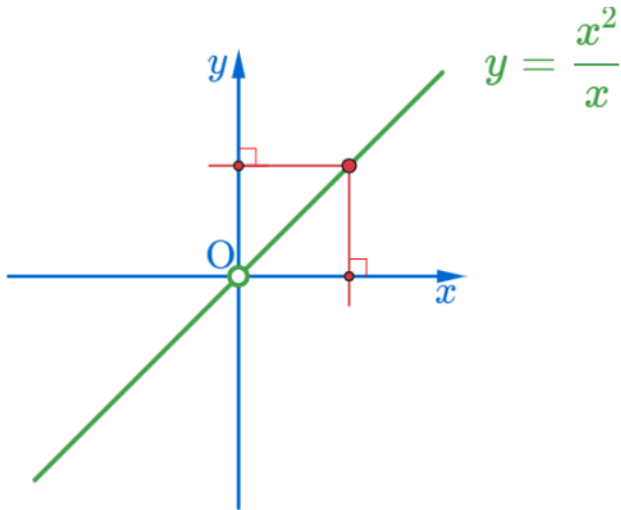
$$\lim_{x \rightarrow 0} \frac{x^2}{x} = 0$$



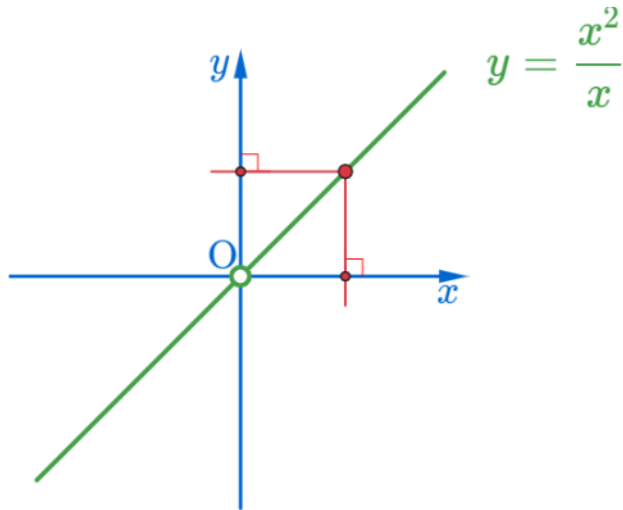
$$\lim_{x \rightarrow 0} \frac{x^2}{x} = 0$$



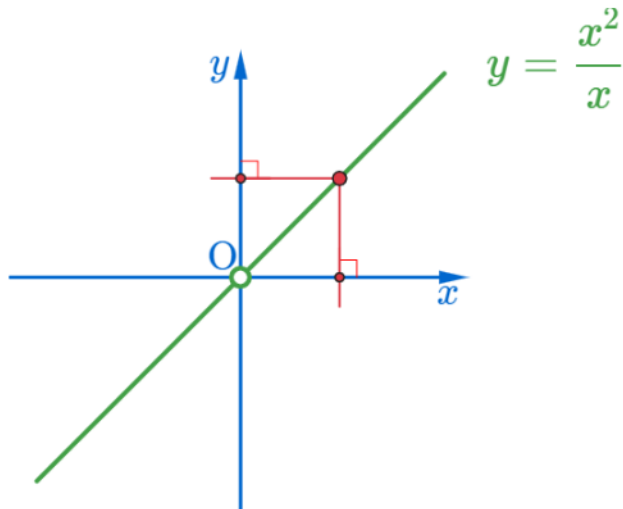
$$\lim_{x \rightarrow 0} \frac{x^2}{x} = 0$$



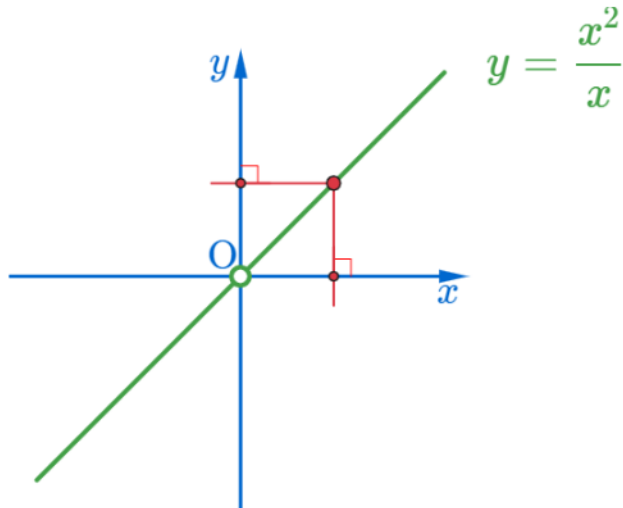
$$\lim_{x \rightarrow 0} \frac{x^2}{x} = 0$$



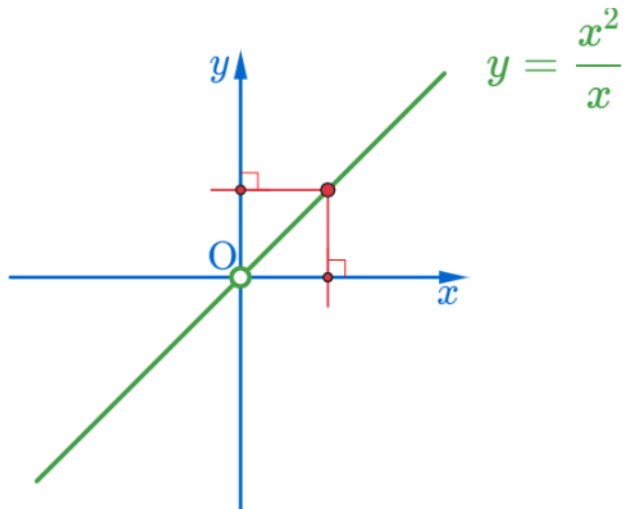
$$\lim_{x \rightarrow 0} \frac{x^2}{x} = 0$$



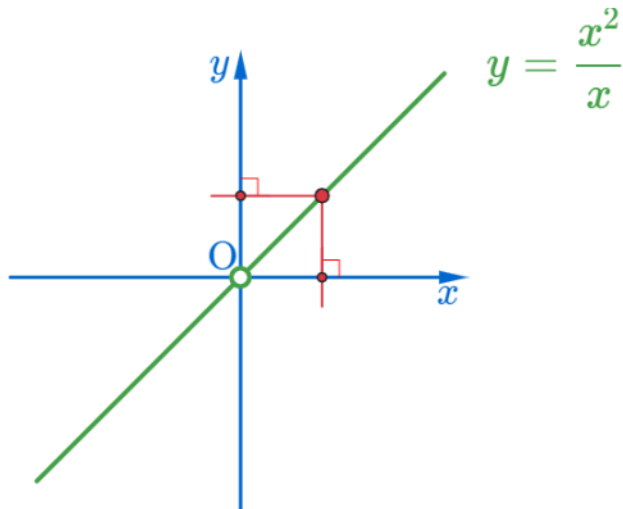
$$\lim_{x \rightarrow 0} \frac{x^2}{x} = 0$$



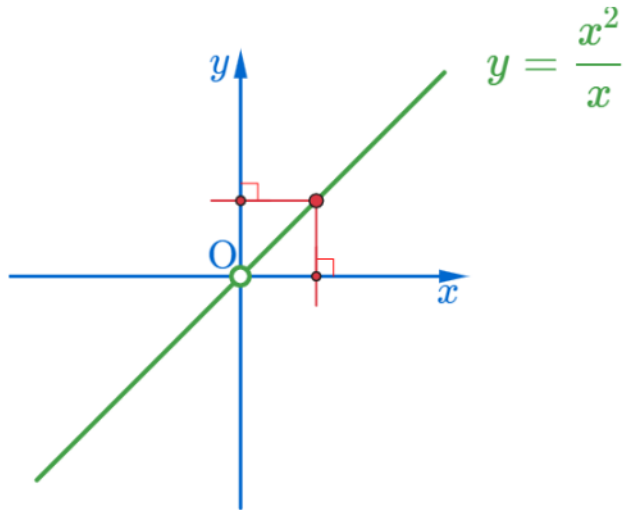
$$\lim_{x \rightarrow 0} \frac{x^2}{x} = 0$$



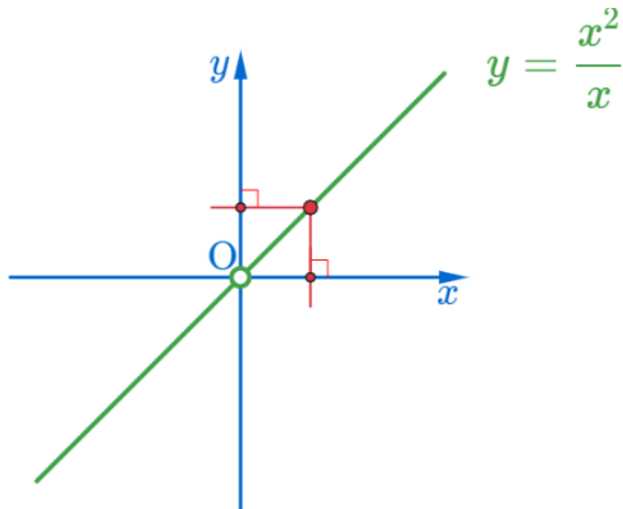
$$\lim_{x \rightarrow 0} \frac{x^2}{x} = 0$$



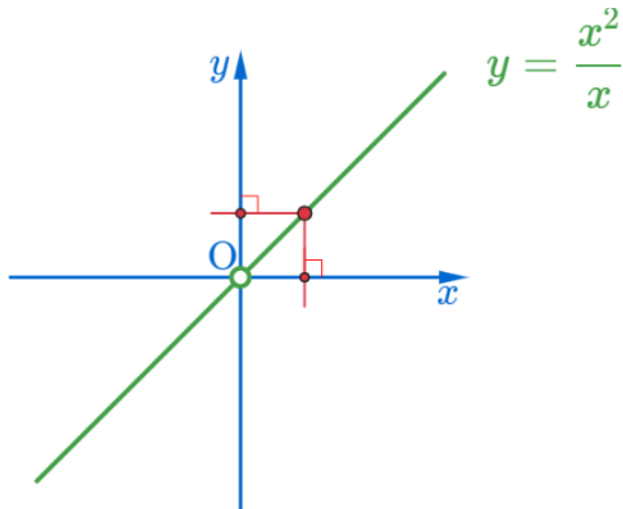
$$\lim_{x \rightarrow 0} \frac{x^2}{x} = 0$$



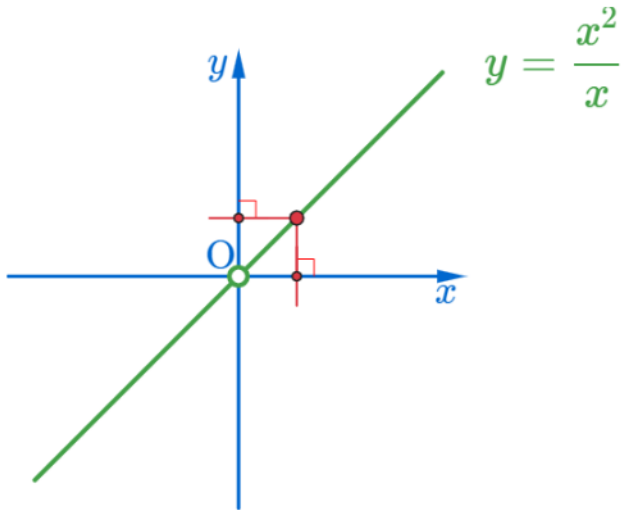
$$\lim_{x \rightarrow 0} \frac{x^2}{x} = 0$$



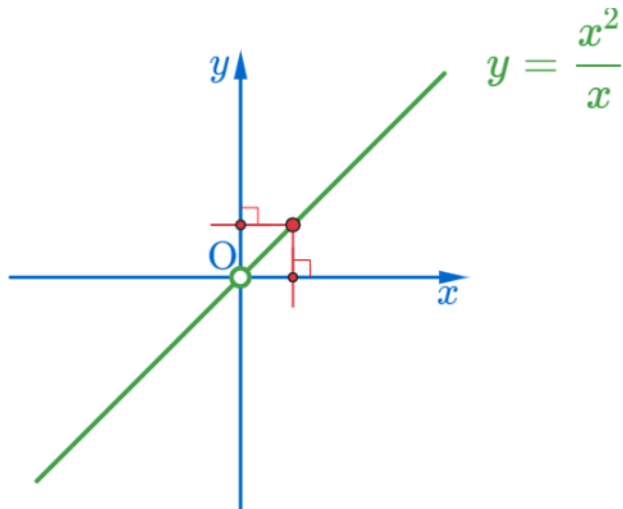
$$\lim_{x \rightarrow 0} \frac{x^2}{x} = 0$$



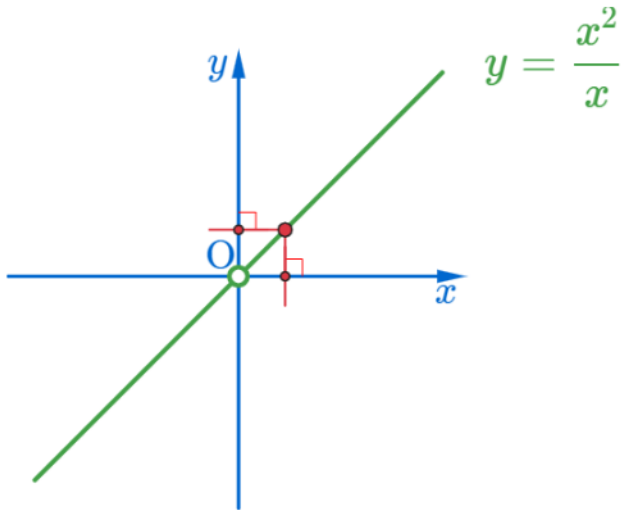
$$\lim_{x \rightarrow 0} \frac{x^2}{x} = 0$$



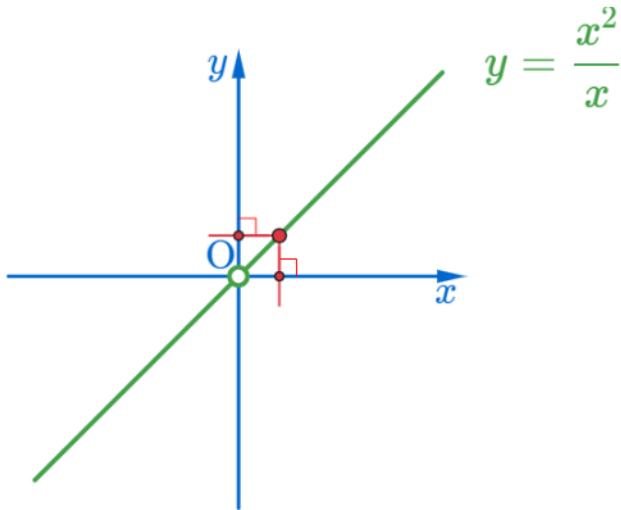
$$\lim_{x \rightarrow 0} \frac{x^2}{x} = 0$$



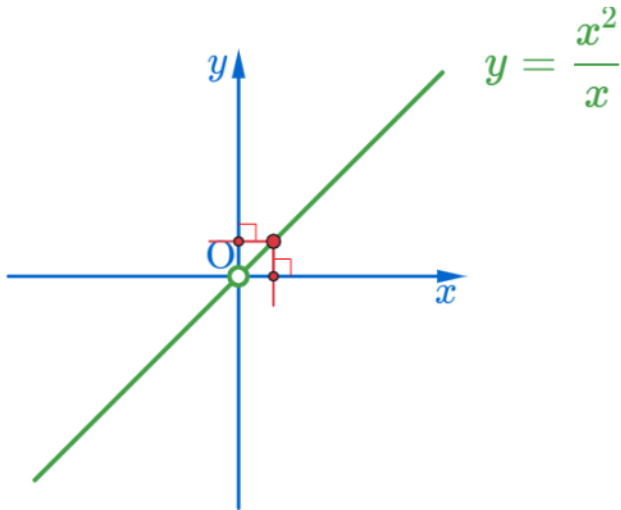
$$\lim_{x \rightarrow 0} \frac{x^2}{x} = 0$$



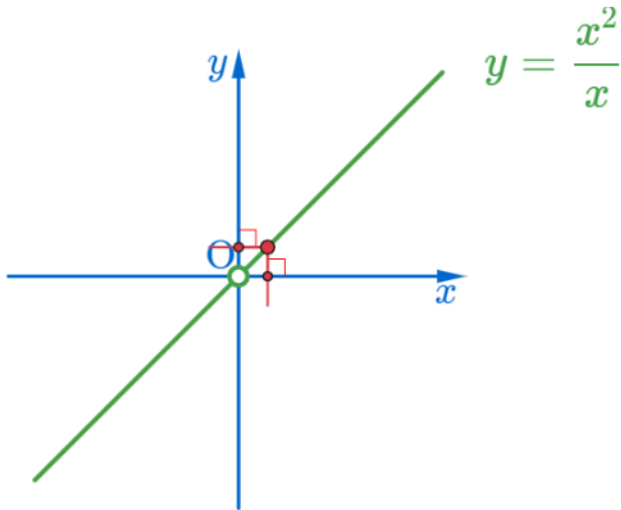
$$\lim_{x \rightarrow 0} \frac{x^2}{x} = 0$$



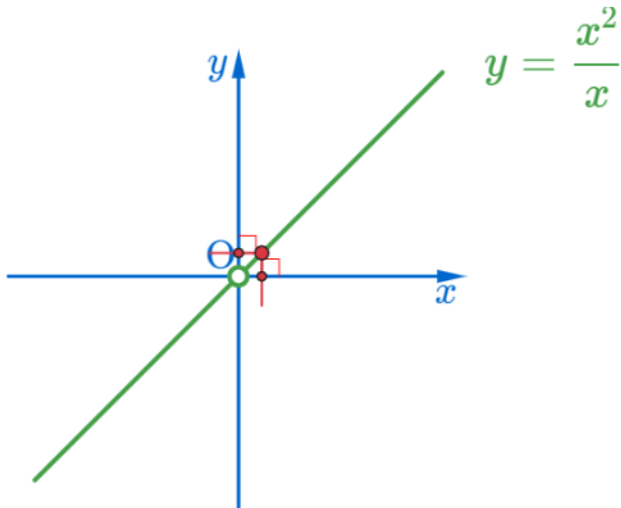
$$\lim_{x \rightarrow 0} \frac{x^2}{x} = 0$$



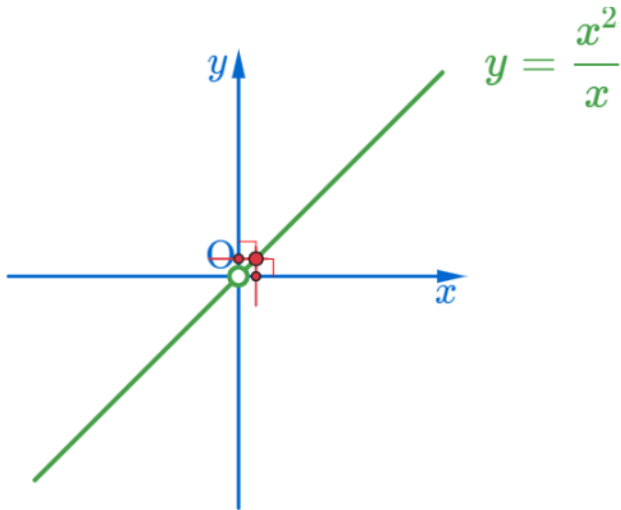
$$\lim_{x \rightarrow 0} \frac{x^2}{x} = 0$$



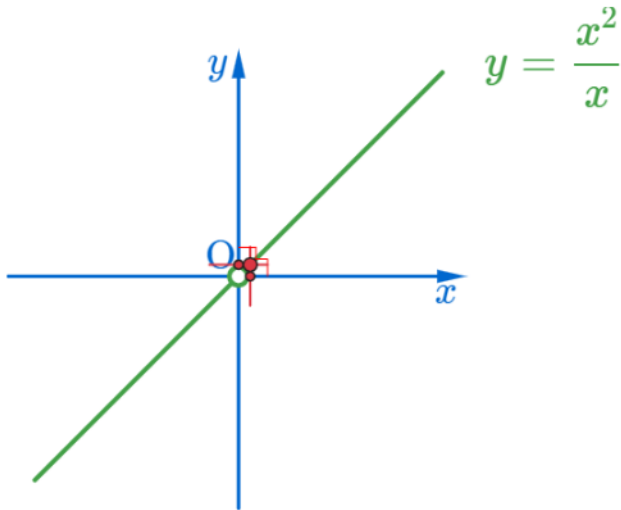
$$\lim_{x \rightarrow 0} \frac{x^2}{x} = 0$$



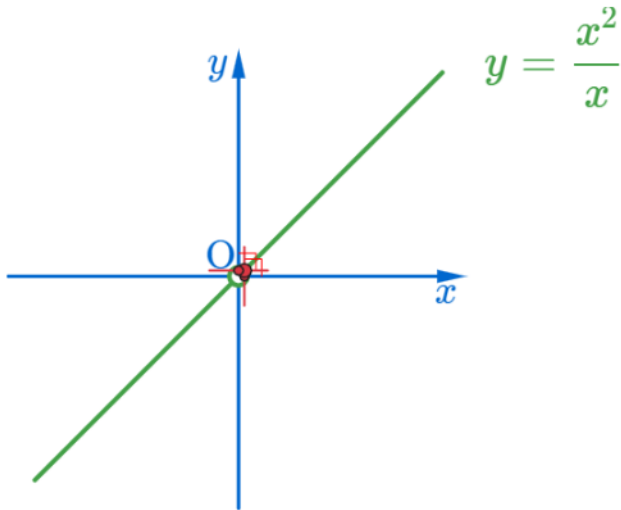
$$\lim_{x \rightarrow 0} \frac{x^2}{x} = 0$$



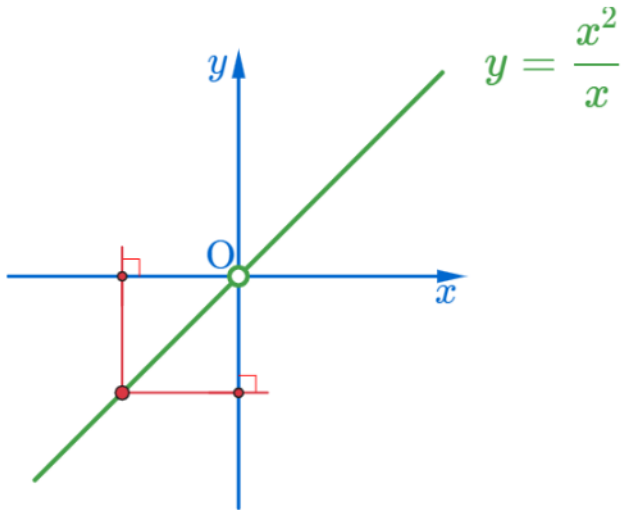
$$\lim_{x \rightarrow 0} \frac{x^2}{x} = 0$$



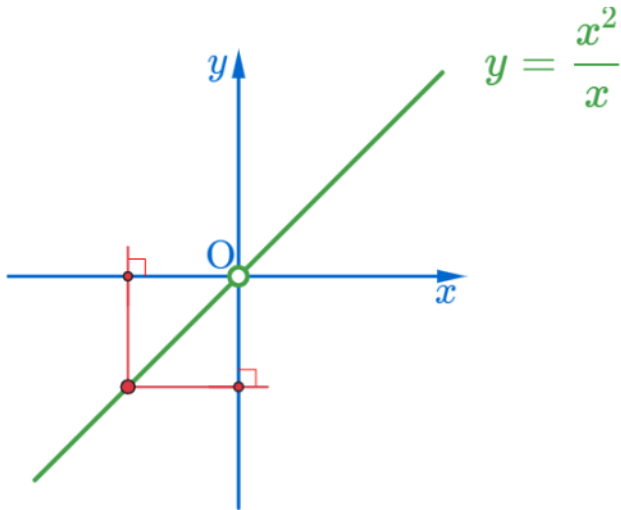
$$\lim_{x \rightarrow 0} \frac{x^2}{x} = 0$$



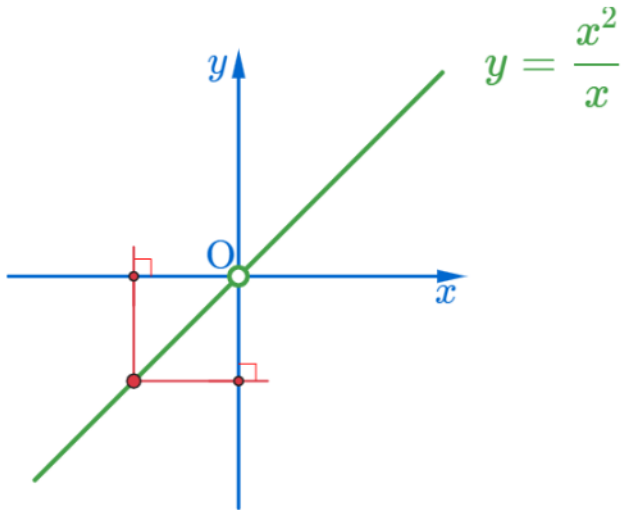
$$\lim_{x \rightarrow 0} \frac{x^2}{x} = 0$$



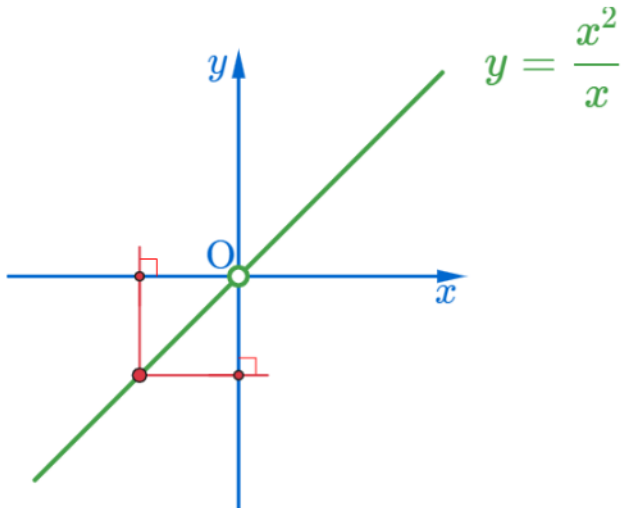
$$\lim_{x \rightarrow 0} \frac{x^2}{x} = 0$$



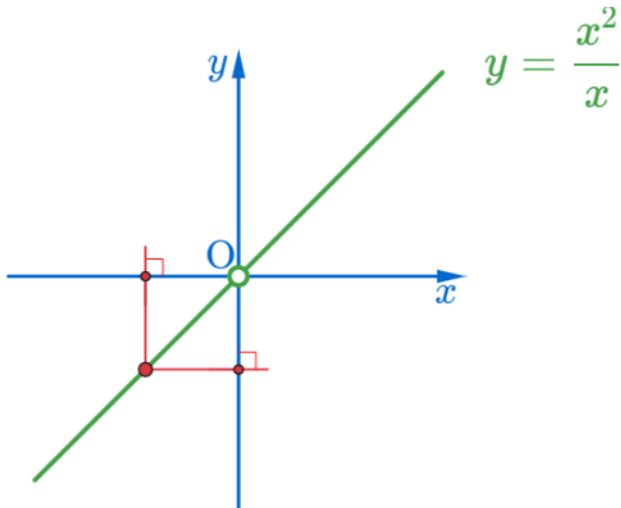
$$\lim_{x \rightarrow 0} \frac{x^2}{x} = 0$$



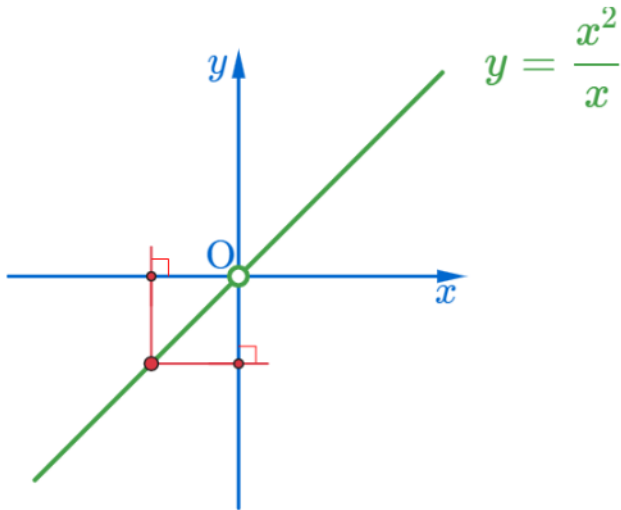
$$\lim_{x \rightarrow 0} \frac{x^2}{x} = 0$$



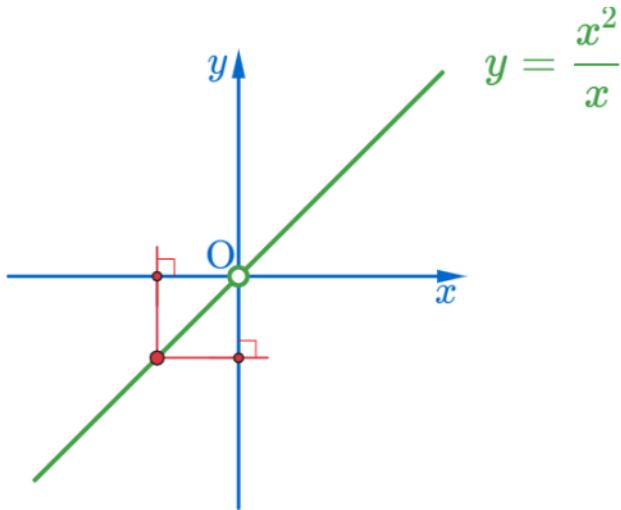
$$\lim_{x \rightarrow 0} \frac{x^2}{x} = 0$$



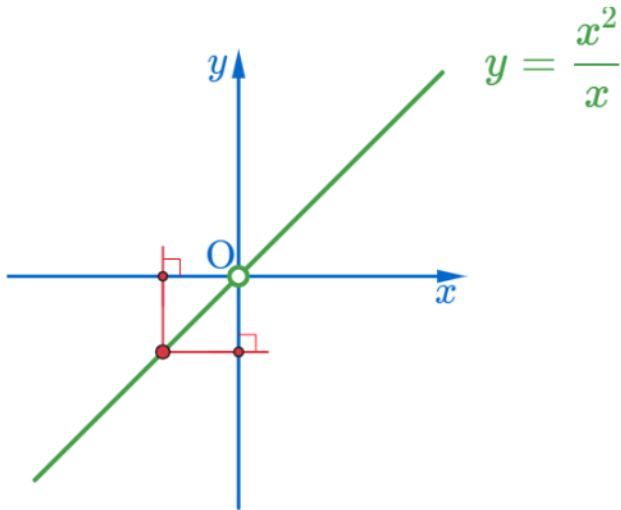
$$\lim_{x \rightarrow 0} \frac{x^2}{x} = 0$$



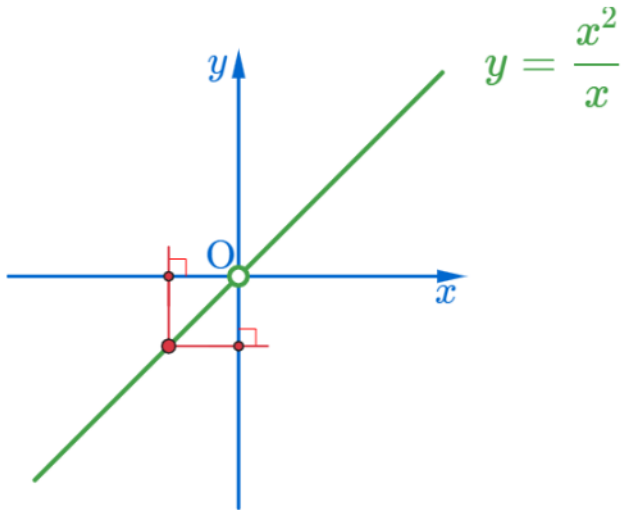
$$\lim_{x \rightarrow 0} \frac{x^2}{x} = 0$$



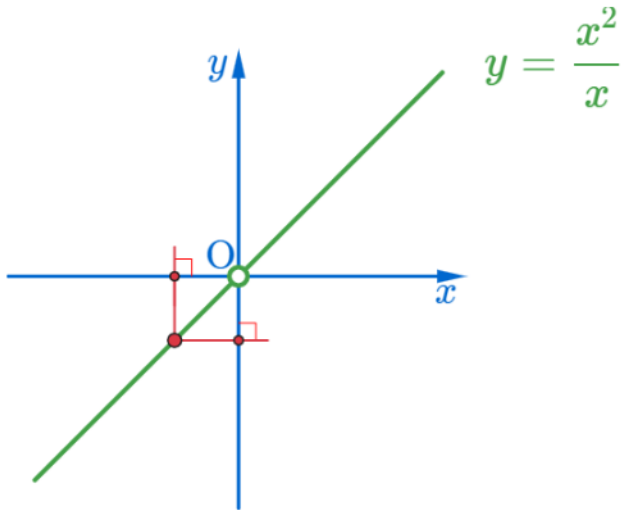
$$\lim_{x \rightarrow 0} \frac{x^2}{x} = 0$$



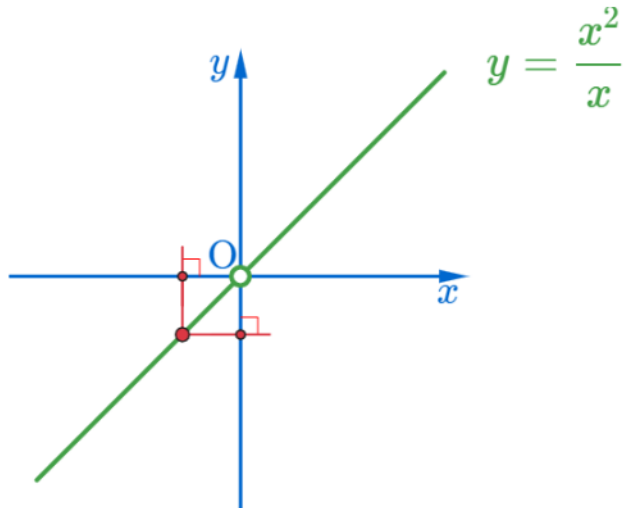
$$\lim_{x \rightarrow 0} \frac{x^2}{x} = 0$$



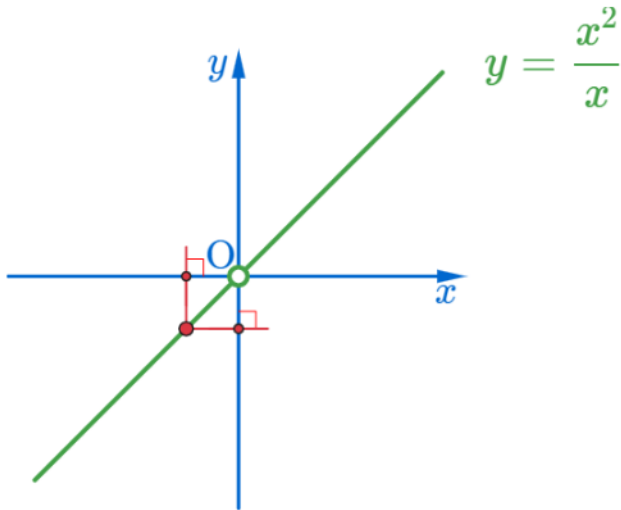
$$\lim_{x \rightarrow 0} \frac{x^2}{x} = 0$$



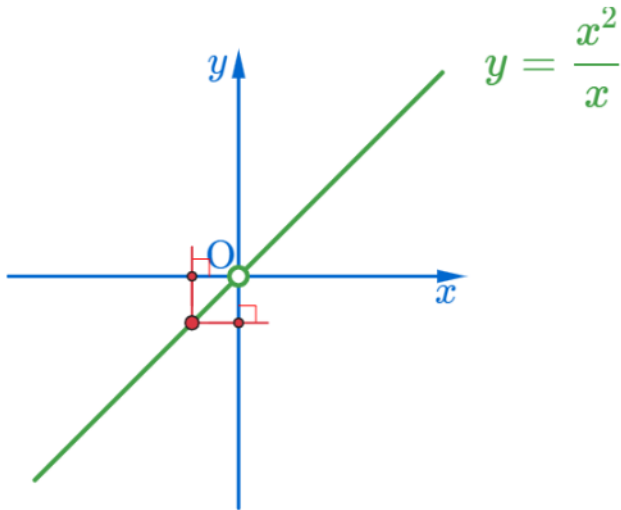
$$\lim_{x \rightarrow 0} \frac{x^2}{x} = 0$$



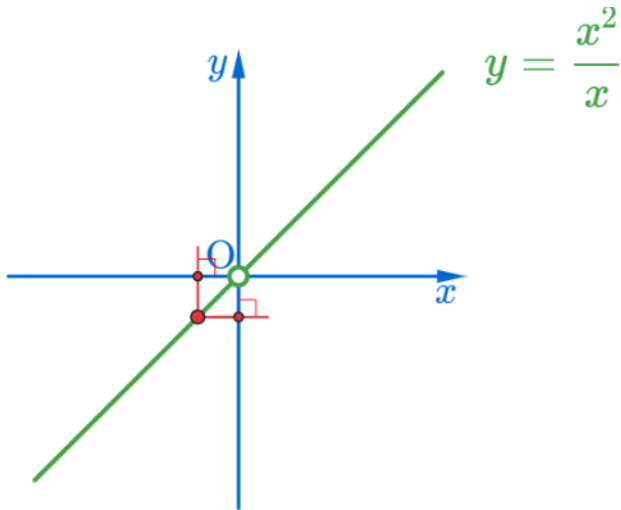
$$\lim_{x \rightarrow 0} \frac{x^2}{x} = 0$$



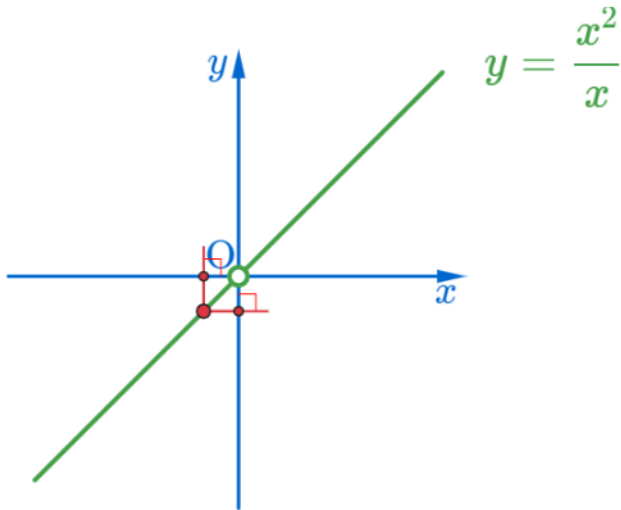
$$\lim_{x \rightarrow 0} \frac{x^2}{x} = 0$$



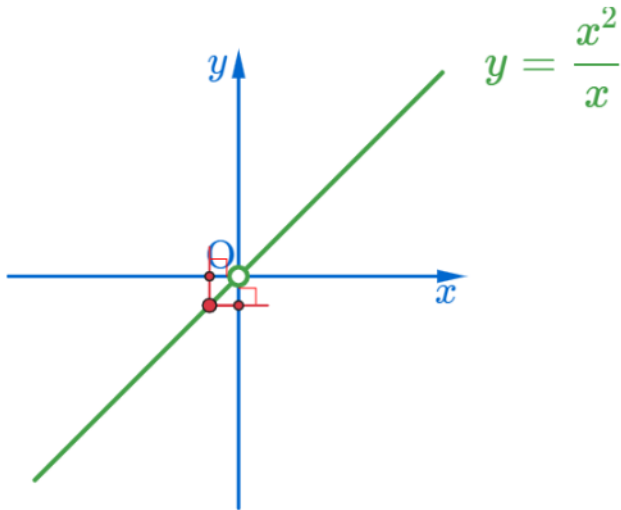
$$\lim_{x \rightarrow 0} \frac{x^2}{x} = 0$$



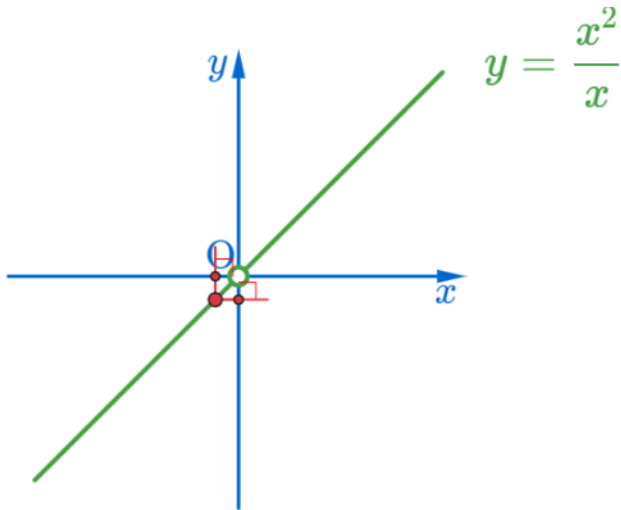
$$\lim_{x \rightarrow 0} \frac{x^2}{x} = 0$$



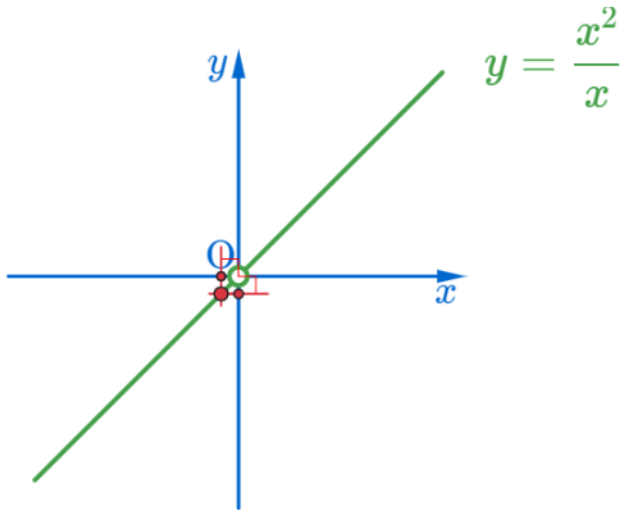
$$\lim_{x \rightarrow 0} \frac{x^2}{x} = 0$$



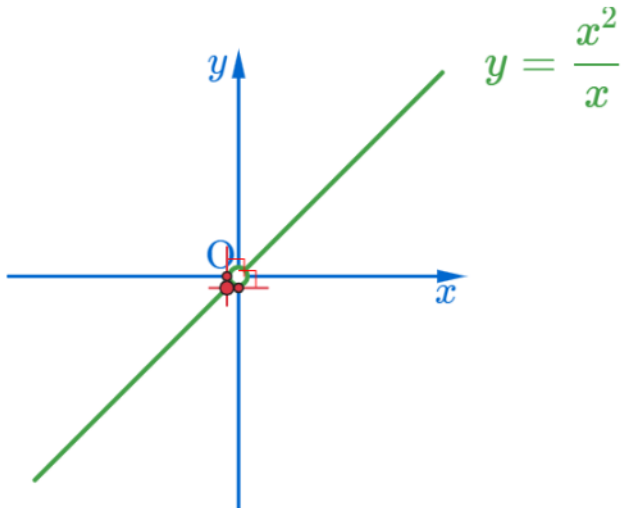
$$\lim_{x \rightarrow 0} \frac{x^2}{x} = 0$$



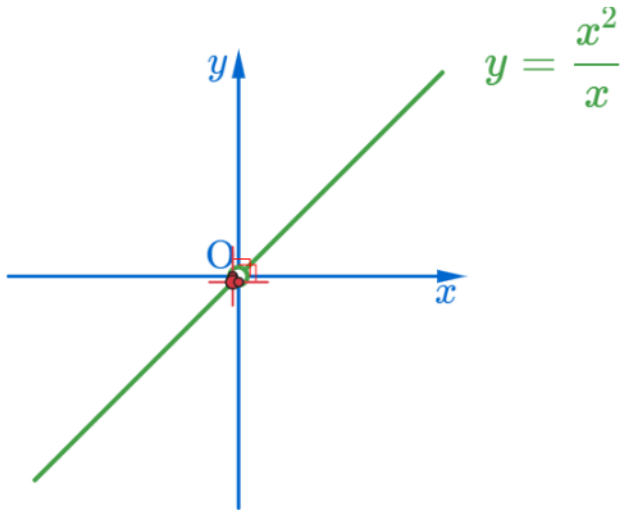
$$\lim_{x \rightarrow 0} \frac{x^2}{x} = 0$$



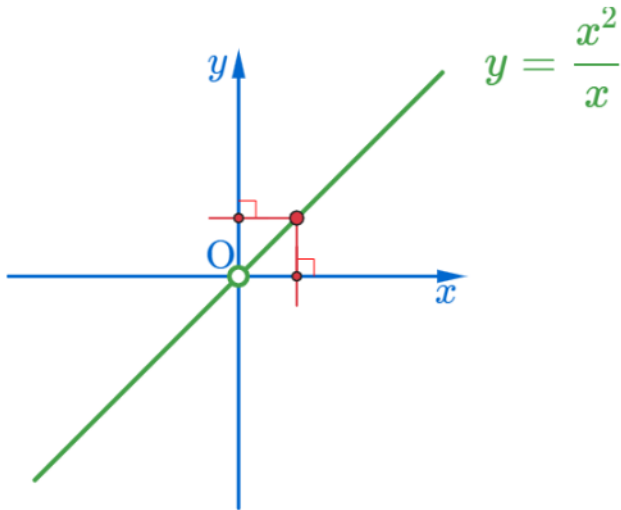
$$\lim_{x \rightarrow 0} \frac{x^2}{x} = 0$$



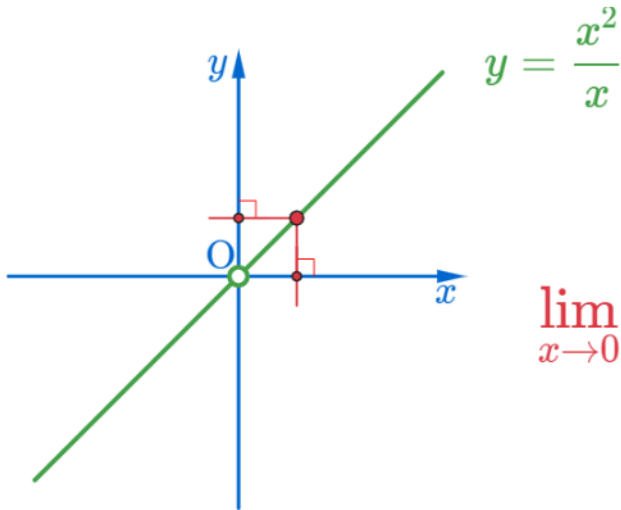
$$\lim_{x \rightarrow 0} \frac{x^2}{x} = 0$$



$$\lim_{x \rightarrow 0} \frac{x^2}{x} = 0$$



$$\lim_{x \rightarrow 0} \frac{x^2}{x} = 0$$



$$\lim_{x \rightarrow 0} \frac{x^2}{x} = 0$$

$$\lim_{x \rightarrow 0} \frac{x^2}{x} = 0$$

Github:

<https://min7014.github.io/math20200825001.html>

Click or paste URL into the URL search bar, and you can see a picture moving.