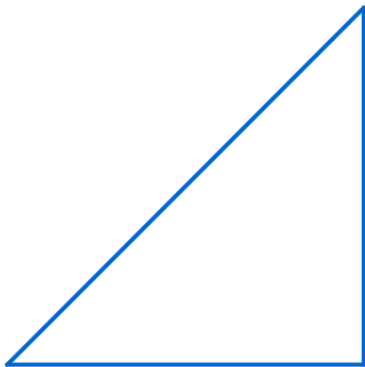


# 45도 삼각비

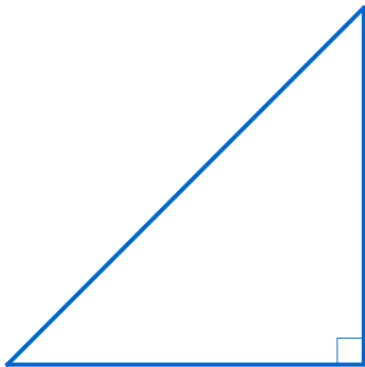
(Trigonometric Ratio of 45 degree)



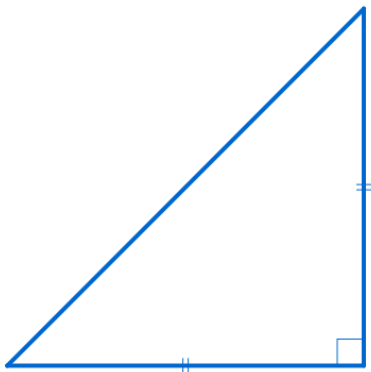
## Trigonometric Ratio of 45 degree



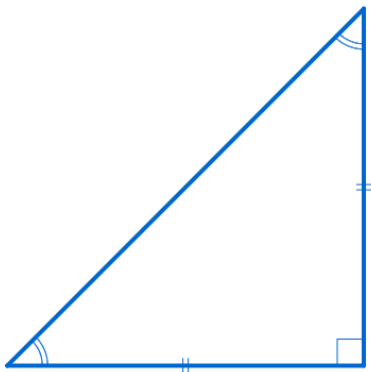
## Trigonometric Ratio of 45 degree



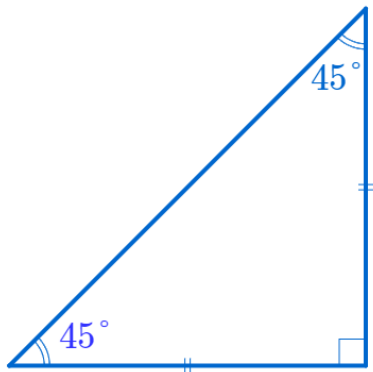
## Trigonometric Ratio of 45 degree



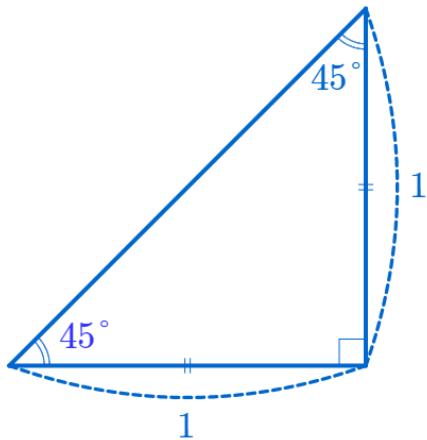
## Trigonometric Ratio of 45 degree



## Trigonometric Ratio of 45 degree

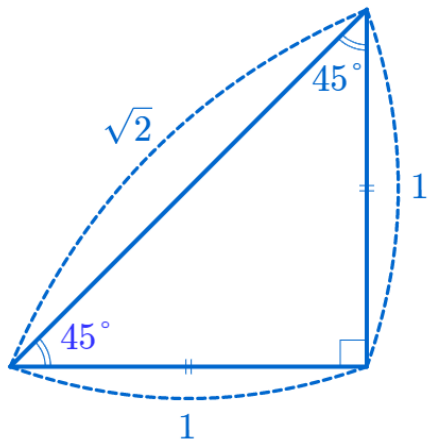


## Trigonometric Ratio of 45 degree

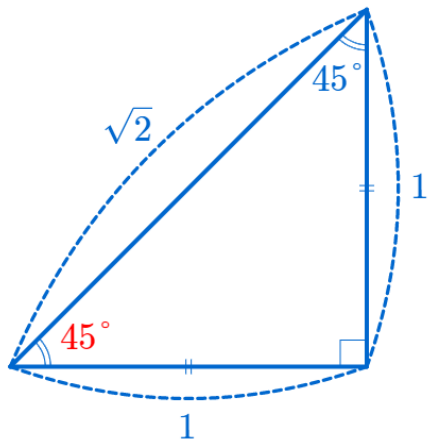




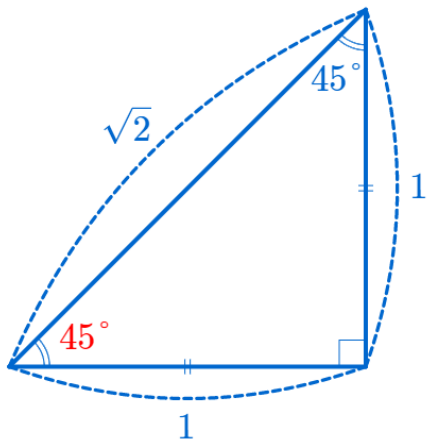
## Trigonometric Ratio of 45 degree



## Trigonometric Ratio of 45 degree

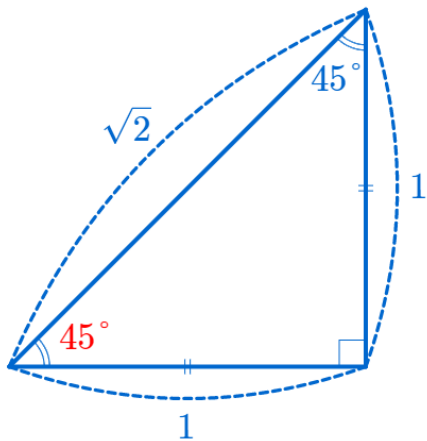


## Trigonometric Ratio of 45 degree



$$\sin 45^\circ = \frac{1}{\sqrt{2}} = \frac{\sqrt{2}}{2}$$

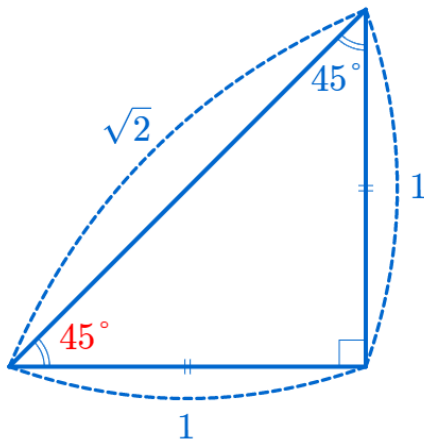
## Trigonometric Ratio of 45 degree



$$\sin 45^\circ = \frac{1}{\sqrt{2}} = \frac{\sqrt{2}}{2}$$

$$\cos 45^\circ = \frac{1}{\sqrt{2}} = \frac{\sqrt{2}}{2}$$

## Trigonometric Ratio of 45 degree



$$\sin 45^\circ = \frac{1}{\sqrt{2}} = \frac{\sqrt{2}}{2}$$

$$\cos 45^\circ = \frac{1}{\sqrt{2}} = \frac{\sqrt{2}}{2}$$

$$\tan 45^\circ = \frac{1}{1} = 1$$

Github:

<https://min7014.github.io/math20200122001.html>

Click or paste URL into the URL search bar, and you can see a picture moving.