

$$(a - b)(a + b) = a^2 - b^2$$

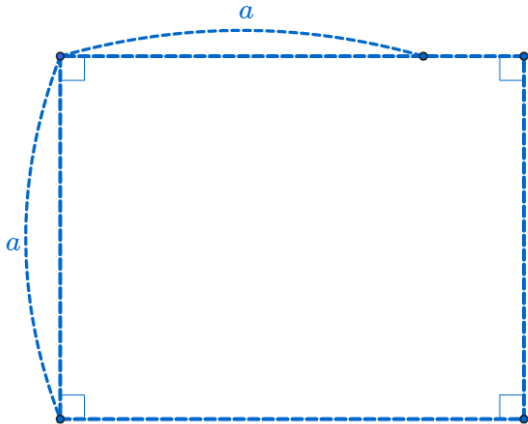
$$(a - b)(a + b) = a^2 - b^2$$

$$(a - b)(a + b) = a^2 - b^2$$

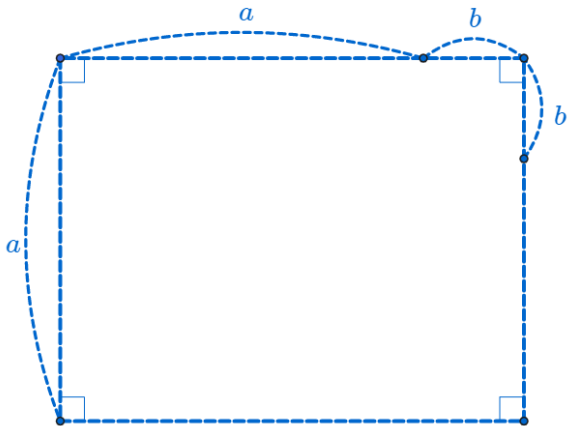
$$(a - b)(a + b) = a^2 - b^2$$



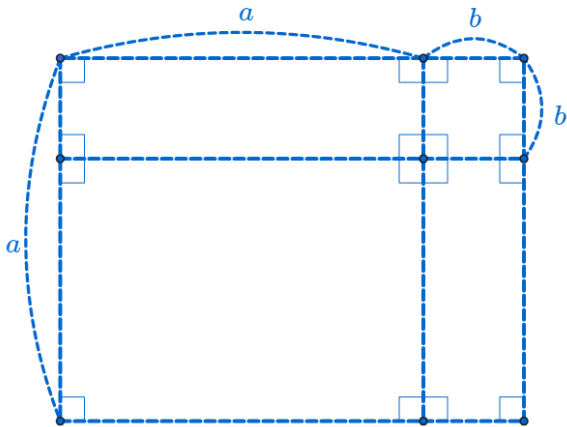
$$(a - b)(a + b) = a^2 - b^2$$



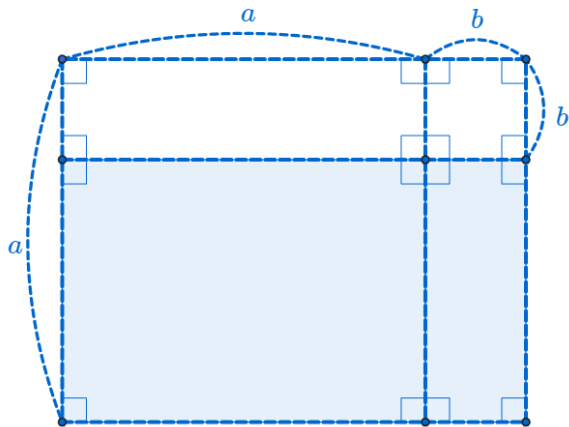
$$(a - b)(a + b) = a^2 - b^2$$



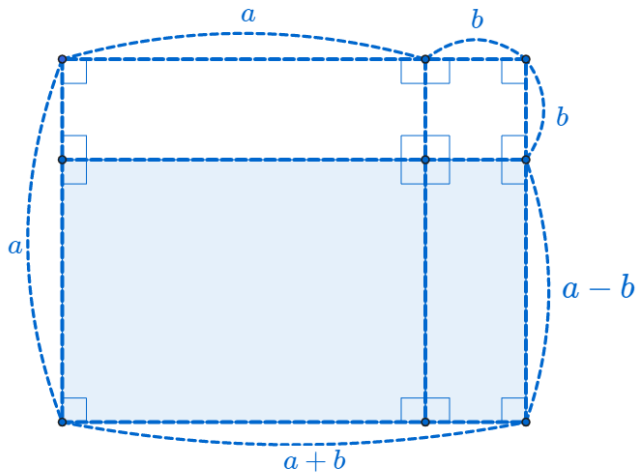
$$(a - b)(a + b) = a^2 - b^2$$



$$(a - b)(a + b) = a^2 - b^2$$

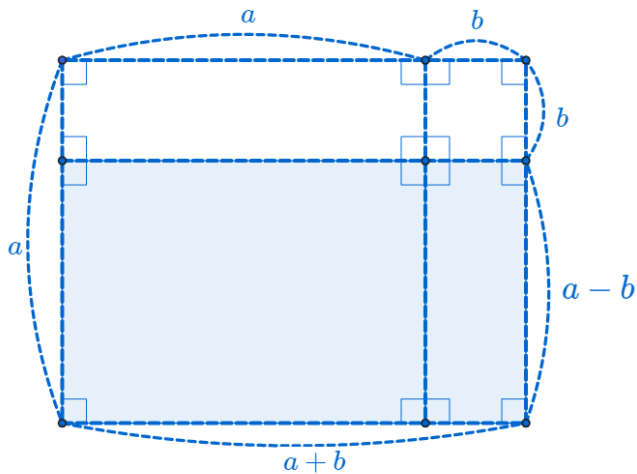


$$(a - b)(a + b) = a^2 - b^2$$



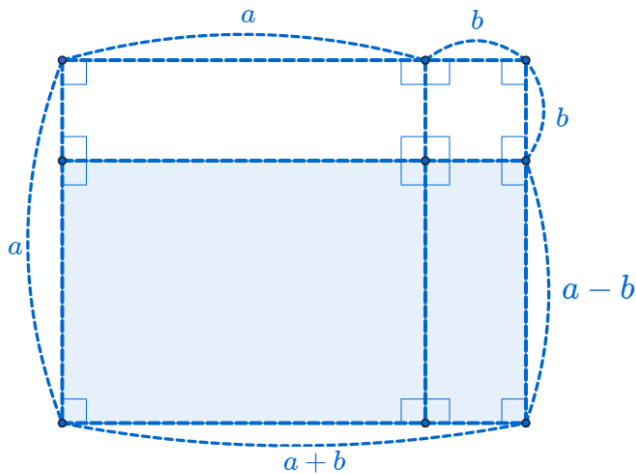
$$(a - b)(a + b) = a^2 - b^2$$

$$(a - b) \times (a + b)$$



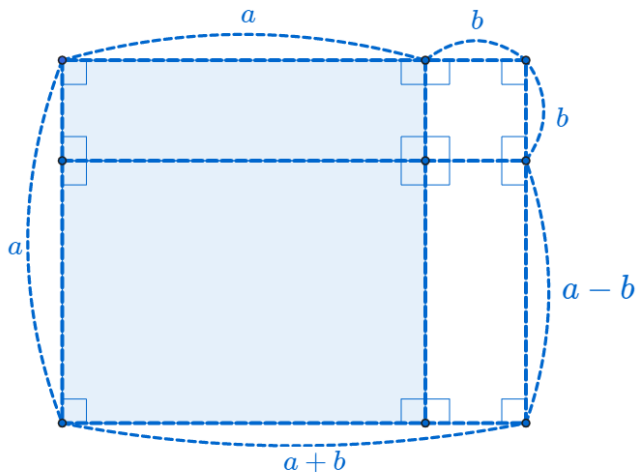
$$(a - b)(a + b) = a^2 - b^2$$

$$(a - b) \times (a + b) = (a - b)(a + b)$$



$$(a - b)(a + b) = a^2 - b^2$$

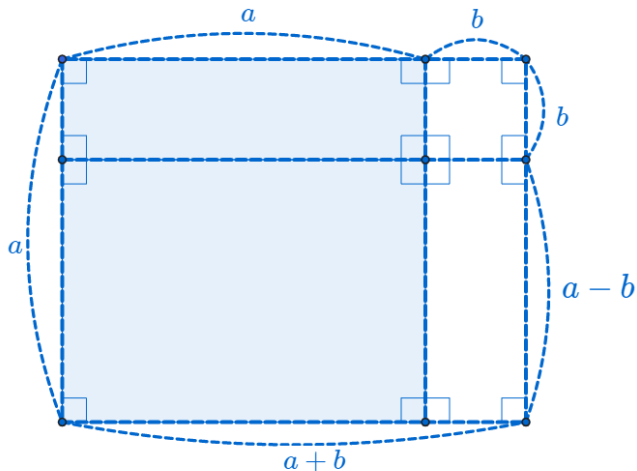
$$(a - b) \times (a + b) = (a - b)(a + b)$$



$$(a - b)(a + b) = a^2 - b^2$$

$$(a - b) \times (a + b) = (a - b)(a + b)$$

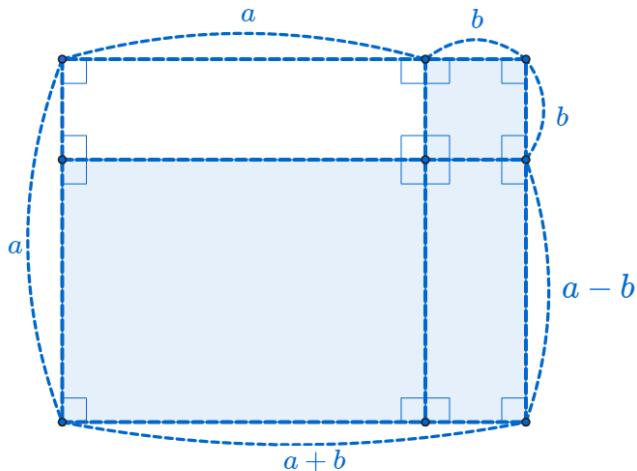
$$a \times a$$



$$(a - b)(a + b) = a^2 - b^2$$

$$(a - b) \times (a + b) = (a - b)(a + b)$$

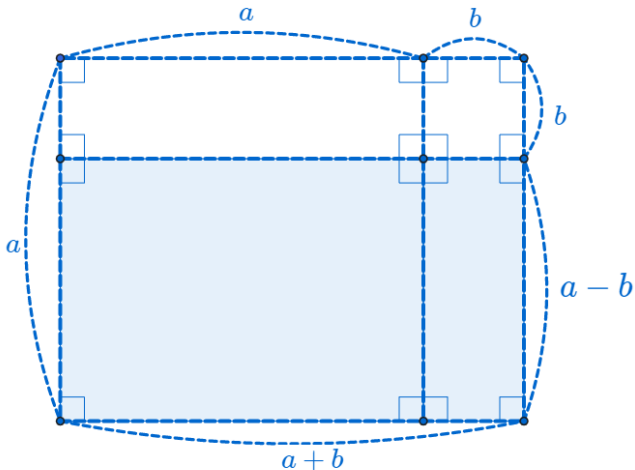
$$a \times a$$



$$(a - b)(a + b) = a^2 - b^2$$

$$(a - b) \times (a + b) = (a - b)(a + b)$$

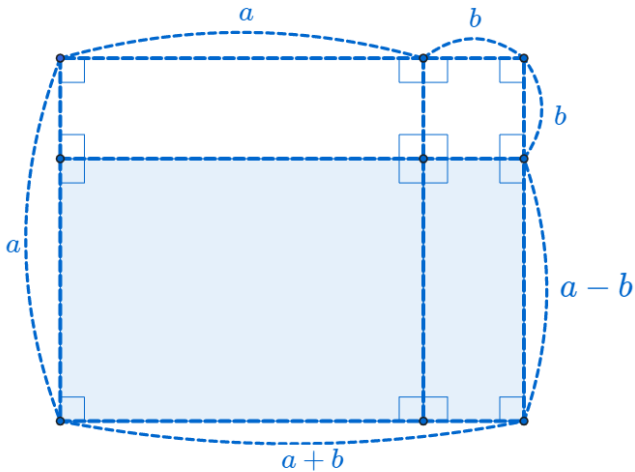
$$a \times a$$



$$(a - b)(a + b) = a^2 - b^2$$

$$(a - b) \times (a + b) = (a - b)(a + b)$$

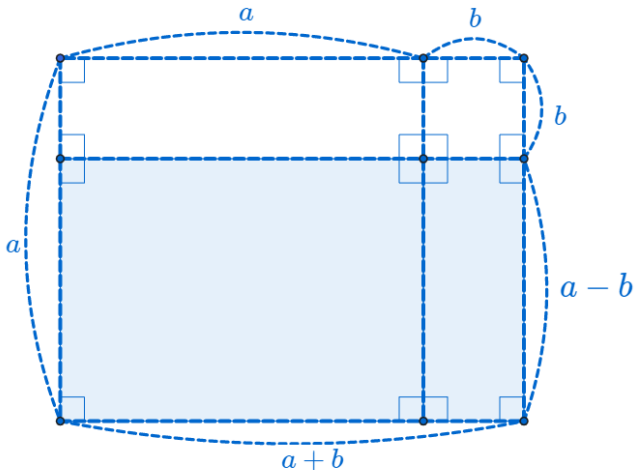
$$a \times a - b \times b$$



$$(a - b)(a + b) = a^2 - b^2$$

$$(a - b) \times (a + b) = (a - b)(a + b)$$

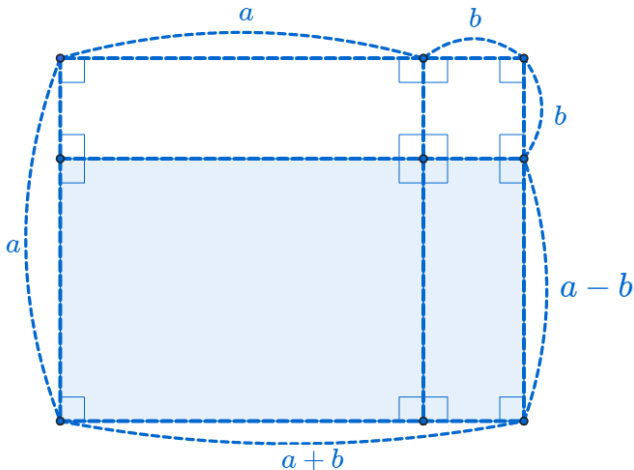
$$a \times a - b \times b = a^2 - b^2$$



$$(a - b)(a + b) = a^2 - b^2$$

$$(a - b) \times (a + b) = (a - b)(a + b)$$

$$a \times a - b \times b = a^2 - b^2$$



$$\therefore (a - b)(a + b) = a^2 - b^2$$

$$(a - b)(a + b) = a^2 - b^2$$

github:

<https://min7014.github.io/math20190826001.html>

Click or paste URL into the URL search bar, and you can see a picture moving.