

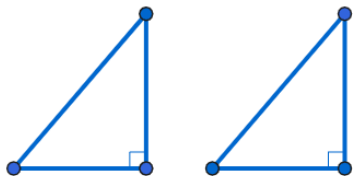
RHS Congruent : If two right-angled triangles have their hypotenuses equal in length, and a pair of shorter sides are equal in length, then the triangles are congruent.

RHS 합동 : 두 직각삼각형의 빗변의 길이와 다른 한 변의 길이가 각각 같을 때 합동이다.

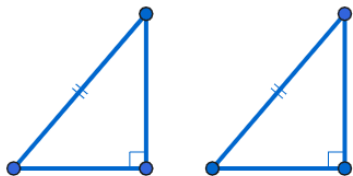
(RHS Congruent : If two right-angled triangles have their hypotenuses equal in length, and a pair of shorter sides are equal in length, then the triangles are congruent.)

RHS Congruent : If two right-angled triangles have their hypotenuses equal in length, and a pair of shorter sides are equal in length, then the triangles are congruent.

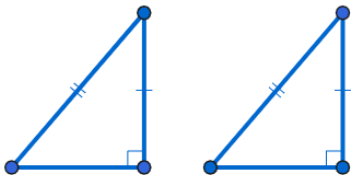
RHS Congruent : If two right-angled triangles have their hypotenuses equal in length, and a pair of shorter sides are equal in length, then the triangles are congruent.



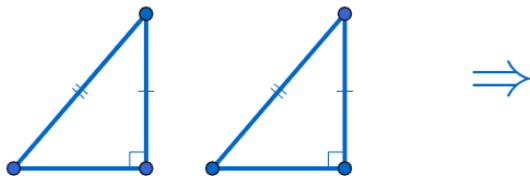
RHS Congruent : If two right-angled triangles have their hypotenuses equal in length, and a pair of shorter sides are equal in length, then the triangles are congruent.



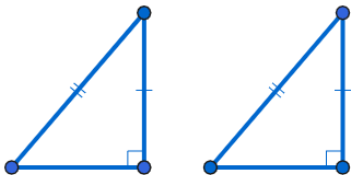
RHS Congruent : If two right-angled triangles have their hypotenuses equal in length, and a pair of shorter sides are equal in length, then the triangles are congruent.



RHS Congruent : If two right-angled triangles have their hypotenuses equal in length, and a pair of shorter sides are equal in length, then the triangles are congruent.

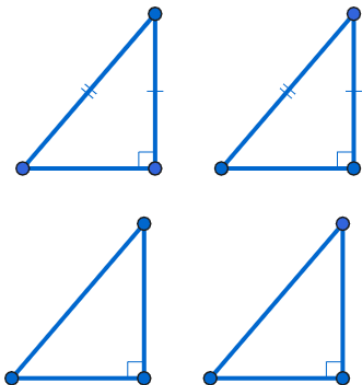


RHS Congruent : If two right-angled triangles have their hypotenuses equal in length, and a pair of shorter sides are equal in length, then the triangles are congruent.



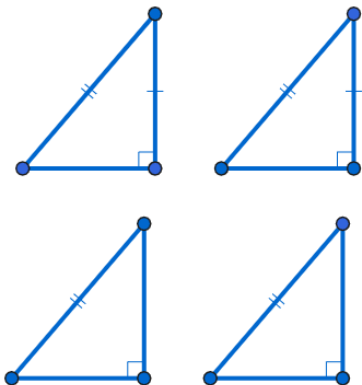
⇒ RHS 합동
(RHS Congruent)

RHS Congruent : If two right-angled triangles have their hypotenuses equal in length, and a pair of shorter sides are equal in length, then the triangles are congruent.



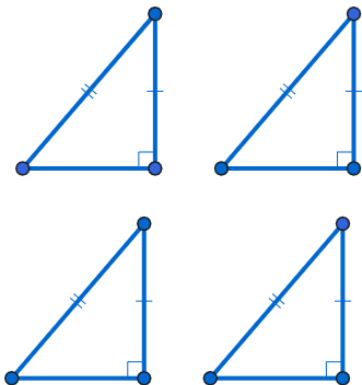
⇒ RHS 합동
(RHS Congruent)

RHS Congruent : If two right-angled triangles have their hypotenuses equal in length, and a pair of shorter sides are equal in length, then the triangles are congruent.



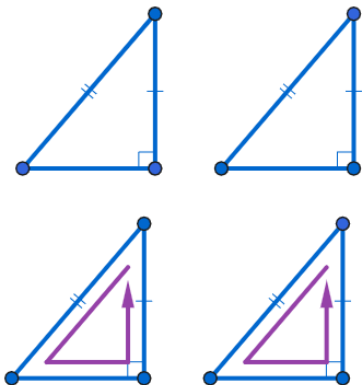
⇒ RHS 합동
(RHS Congruent)

RHS Congruent : If two right-angled triangles have their hypotenuses equal in length, and a pair of shorter sides are equal in length, then the triangles are congruent.



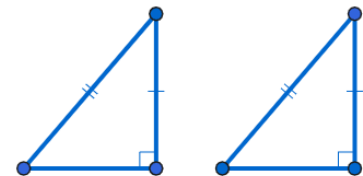
⇒ RHS 합동
(RHS Congruent)

RHS Congruent : If two right-angled triangles have their hypotenuses equal in length, and a pair of shorter sides are equal in length, then the triangles are congruent.

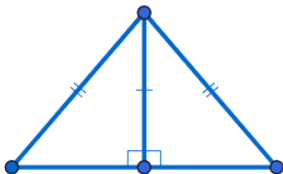
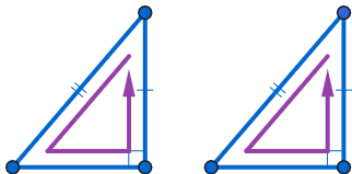


⇒ RHS 합동
(RHS Congruent)

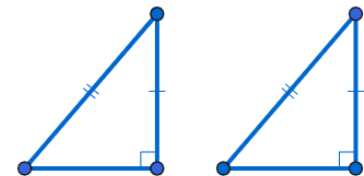
RHS Congruent : If two right-angled triangles have their hypotenuses equal in length, and a pair of shorter sides are equal in length, then the triangles are congruent.



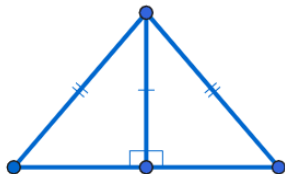
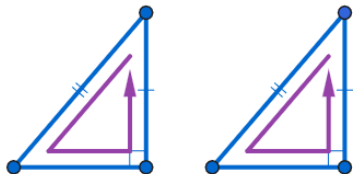
⇒ RHS 합동
(RHS Congruent)



RHS Congruent : If two right-angled triangles have their hypotenuses equal in length, and a pair of shorter sides are equal in length, then the triangles are congruent.

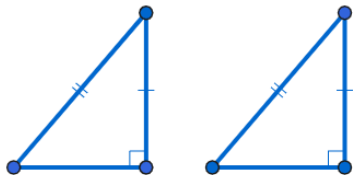


⇒ RHS 합동
(RHS Congruent)

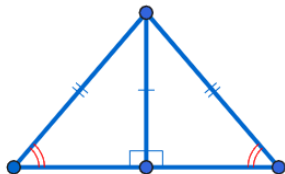
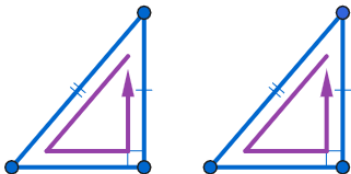


이등변삼각형(Isosceles triangle)

RHS Congruent : If two right-angled triangles have their hypotenuses equal in length, and a pair of shorter sides are equal in length, then the triangles are congruent.

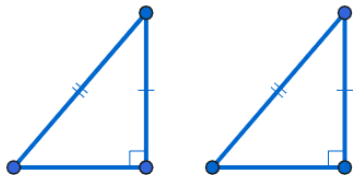


⇒ RHS 합동
(RHS Congruent)

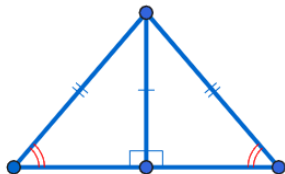
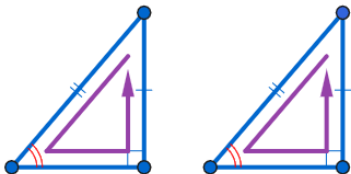


이등변삼각형(Isosceles triangle)

RHS Congruent : If two right-angled triangles have their hypotenuses equal in length, and a pair of shorter sides are equal in length, then the triangles are congruent.

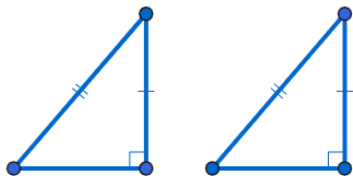


⇒ RHS 합동
(RHS Congruent)

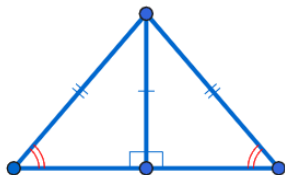
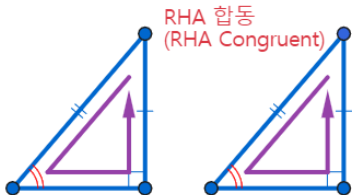


이등변삼각형(Isosceles triangle)

RHS Congruent : If two right-angled triangles have their hypotenuses equal in length, and a pair of shorter sides are equal in length, then the triangles are congruent.



⇒ RHS 합동
(RHS Congruent)



이등변삼각형(Isosceles triangle)

RHS Congruent : If two right-angled triangles have their hypotenuses equal in length, and a pair of shorter sides are equal in length, then the triangles are congruent.

github:

<https://min7014.github.io/math20191129001.html>

Click or paste URL into the URL search bar, and you can see a picture moving.